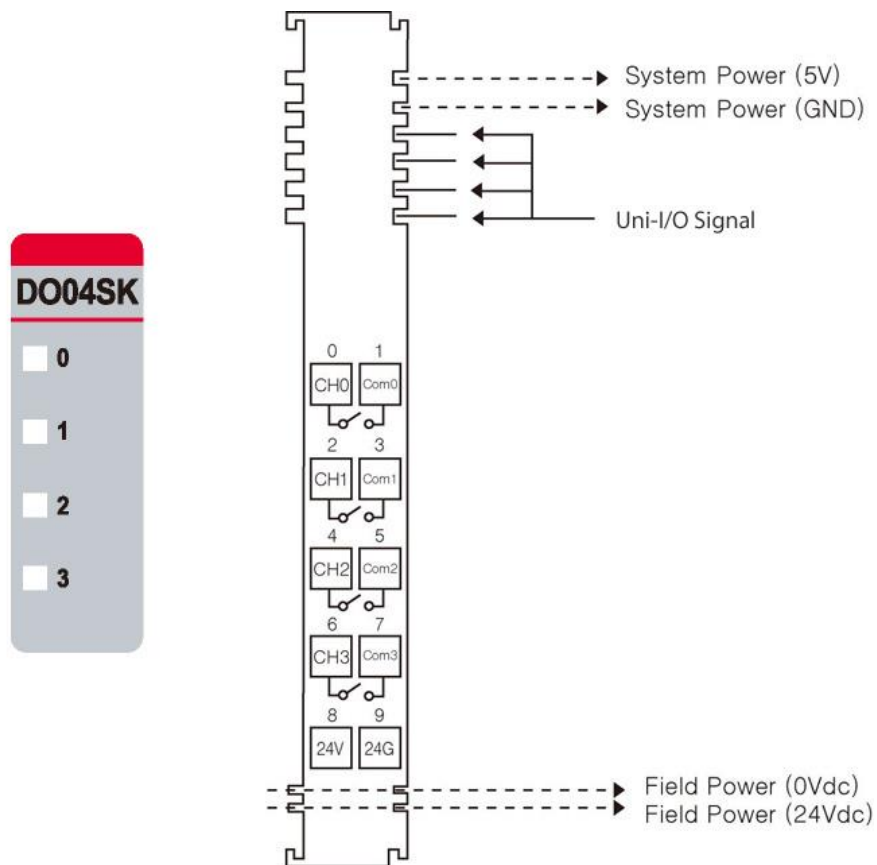


URD-0004SK (DO04SK) - 4 Solid State Relay

Items	Specification
Output per module	4 Points, Bi-directional
Indicators (Logic side)	4 Green Output state
Relay Type	MOS Relay (Solid State Relay)
Output Voltage Range (Load Dependent)	Max. 240VAC @ 0.5A resistive Max. 240VDC @ 0.5A resistive
Output Delay Time (resistive load)	Max. AC/DC : 240V OFF to ON : Max. 0.6ms ON to OFF : Max. 3ms
Output Current Rating	Max. 0.5A per channel
Frequency Range (VAC)	47Hz ~ 63Hz
Commons Type	4Points / 2COM (Single Common)
Power dissipation	80mA @ 5.0VDC
Isolation	I/O to Logic : Isolation Field Power : Non-isolation
Field Power	Supply Voltage : 24VDC Voltage Range : 15 ~ 32VDC (AC Power Not Used)
Wiring	I/O Cable Max. 2.0mm ² (AWG 14)
Weight	58g
Module Size	12mm x 99mm x 70mm
Operating temperature	-40°C to 70°C (-40°F to 158°F)

1. Wiring Diagram



Pin No.	Signal Description	Pin No.	Signal Description
0	Output 0	1	COM 0
2	Output 1	3	COM 1
4	Output 2	5	COM 2
6	Output 3	7	COM 3
8	Field Power 24V	9	Field Power 0V

2. LED Indicators

LED No.	LED Function / Description	LED Color
0	Output 0	Green
1	Output 1	Green
2	Output 2	Green
3	Output 3	Green

Status	LED	Indication
No Signal	Off	No Output Signal
On Signal	Green	Normal Operation