

M91™

An affordable All-in-One: a smart PLC with a textual HMI and keyboard, plus an onboard I/O configuration; expand up to 150 I/Os

Features:

HMI

- Up to 80 user-designed screens
- Multilingual: supports over 15 languages and 20 graphic symbols
- Scroll between pre-programmed recipes/menus
- Memory and communication monitoring via HMI - No PC needed

PLC

- Shaft-encoder inputs and PWM outputs
- Direct temperature inputs
- Auto-tune PID, up to 4 loops
- Date & Time-based control
- Database
- Print utilities
- Full source upload

Communication

- SMS messaging via GSM
- Remote access utilities
- PC access via MODBUS or OPC server
- Supports MODBUS protocol
- CANBus (in C models only)
- User-defined ASCII strings, enable communication with external devices
- RS232/RS485 built-in port



M91

M91										
Article Number	M91-2-R1	M91-2-R2C	M91-2-R6C	M91-2-R34	M91-2-T1	M91-2-T38	M91-2-T2C	M91-2-UN2	M91-2-UA2	M91-2-RA22
	10 Digital 1 Analog Inputs 6 Relay Outputs	10 Digital 2 Analog Inputs 6 Relay Outputs	6 Digital 6 Analog Inputs 6 Relay Outputs	20 Digital 2 D/A ¹ Inputs 12 Relay Outputs	12 Digital Inputs 12 Transistor Outputs	22 Digital Inputs 16 Transistor Outputs	10 Digital 2 D/A ¹ Inputs 12 Transistor Outputs	10 Digital 2 D/A/PT100/TC ¹ Inputs 12 Transistor Outputs	10 Digital 2 D/A/TC ¹ Inputs 10 Transistor 2 Analog Outputs	8 Digital, 2 D/A 2 PT100/TC/ Digital ¹ Inputs 8 Relay 2 Analog Outputs
Inputs										
Digital pnp/npn	10	10	6	22	12	22	12	12	12	12
HSC/Shaft-Encoder/ Max. Freq. Measurer ²	3 10kHz 16-bit	3 10kHz 16-bit	1 10kHz 16-bit	3 30kHz ³ 16-bit	2 10kHz 16-bit	2 30kHz ³ 16-bit	3 10kHz 16-bit	2 10kHz 16-bit	1 30kHz ³ 16-bit	1 30kHz ³ 16-bit
Analog	1 10-bit 0-10V, 0-20mA 4-20mA	2 10-bit 0-10V, 0-20mA 4-20mA	6 10-bit 2 0-10V 0-20mA, 4-20mA and 4 0-20mA 4-20mA	2 10-bit 0-10V, 0-20mA 4-20mA	None	None	2 10-bit 0-10V, 0-20mA 4-20mA	2 14-bit 0-10V, 0-20mA 4-20mA	2 14-bit 0-10V, 0-20mA 4-20mA	2 14-bit 0-10V, 0-20mA 4-20mA
Temperature Measurement	None	None	None	None	None	None	None	2 PT100/TC or 2 TC	2 TC or 2 TC	2 PT100/TC and 2 PT100/TC
Outputs										
Digital	6 relay	6 relay	6 relay	12 relay	12 pnp	16 pnp	12 pnp	12 pnp	10 pnp	8 relay
High-Speed Outputs/ PWM ⁴	None	None	None	None	2, first 2 outputs can function as HSO, 0.5kHz maximum					None
Analog	None	None	None	None	None	None	None	None	2 12-bit: 0-10V, 4-20mA	2 12-bit: 0-10V, 4-20mA
I/O Expansion	I/Os may be added via expansion port									
Program										
Application Memory	36K (virtual) Ladder code capacity									
Memory Operands	256 coils, 256 registers, 64 timers									
Database	1024 integers, (indirect access)									
Operator Panel										
Type	STN LCD									
Display Size	2 lines x 16 characters									
Keys	15 keys									
General										
Power Supply	12/24VDC	12/24VDC	24VDC	24VDC	12/24VDC	24VDC	12/24VDC	12/24VDC	24VDC	24VDC
Battery	7 years typical at 25°C, battery back-up for all memory sections and RTC									
Clock (RTC)	Real-time clock functions (date and time)									
Environment	IP65/NEMA4X (when panel mounted)									
Standard	CE, UL Many of our products are also UL Class 1 Div 2 and GOST certified - please contact Unitronics									

¹ In these models certain inputs are adaptable, and can function as either digital, analog, and in certain models also as thermocouple or PT100. Using adaptable inputs reduces the amount of free digital inputs. For example, M91-2-UA2 offers 12 digital inputs. Implementing 2 TC inputs requires 4 digital inputs, leaving 8 free.

² Certain inputs can function as high-speed counters, shaft-encoder inputs, or normal digital inputs.

³ This specification depends on cable length.

⁴ Certain outputs can function as high-speed or PWM outputs.

I/O Expansion Modules

CE/UL

Expand your system with local or remote I/O expansion modules.

Vision series support both local & remote I/O modules. M91 supports local modules only.

Digital Modules

IO-DI8-T08	IO-DI8-R04	IO-DI8-R08	EX90-DI8-R08 ³	IO-DI16
24VDC* 8 Digital Inputs , pnp/npn, including one High-speed Counter 8 pnp Transistor Outputs	24VDC* 8 Digital Inputs , pnp/npn, including one High-speed Counter 4 Relay Outputs	24VDC* 8 Digital Inputs , pnp/npn, including one High-speed Counter 8 Relay Outputs	24VDC 8 Digital Inputs , pnp, including one High-speed Counter 8 Relay Outputs	24VDC* 16 Digital Inputs , pnp/npn, including one High-speed Counter
IO-T016	IO-R08	IO-R016	IO-DI8ACH	
24VDC 16 pnp Transistor Outputs	24VDC* (power supply) 8 Relay Outputs	24VDC* (power supply) 16 Relay Outputs	110/220 VAC 8 AC Inputs	

*Also available as 12VDC – contact us for part number

High-speed Remote I/O Module

EXF-RC15 ^{2,5}
24VDC 9 Digital Inputs pnp/npn, including 3 high-speed counter, 4 npn Transistor Outputs , may function as high-speed PWM/PTO, 2 relay outputs

Analog, Temperature and Weight/Strain Measurements

IO-AI4-A02	IO-PT400	IO-PT4K
24VDC (power supply) 4 Analog Inputs 12-bit, 0-10V, 0-20mA, 4-20mA, 2 Analog Outputs , 12-bit+sign, ± 10V, 0-20mA, 4-20mA	4 PT100/NI100/NI120 Inputs Range PT100: -50°C ÷ 460°C (-58°F ÷ 860°F) Range NI100: -50°C ÷ 232°C (-58°F ÷ 449°F) Range NI120: -50°C ÷ 172°C (-58°F ÷ 341°F) 12-bit	4 PT1000/NI1000 Inputs Range PT1000: -50°C ÷ 460°C (-58°F ÷ 860°F) Range NI1000: -50°C ÷ 232°C (-58°F ÷ 449°F) 12-bit
IO-A06X	IO-LC1 ⁴	IO-LC3 ⁴
24VDC (power supply) 6 Isolated Analog Outputs 0-10V, 0-20mA, 4-20mA 12-bit	12/24VDC (Power Supply) 1-3 Loadcell / Strain gauge Inputs Input voltage ranges: ± 20mV, ± 80mV Excitation: AC/DC 1 Digital pnp Input 2 pnp Outputs Not supported by all PLCs	8 Thermocouple/ Analog Inputs T/C J, K, T, B, E, N, R, S, 0.1 ⁰ Resolution, 0-10V, 0-20mA, 4-20mA, 12/14-bit

I/O Expansion Module Adapters

EX-A2X ¹
Local I/O module adapter. Galvanic isolation. Up to 8 modules may be connected to a single PLC ¹ . Supports both 12/24 VDC
EX-RC1 ^{1,5}
Remote I/O module adapter, via CANbus. Connect multiple adapters to a single PLC; connect up to 8 modules per adapter. Supports both 12/24 VDC.

¹ Number of supported I/Os & I/O modules varies according to PLC model.

² The EXF-RC15 functions as a CANbus node in a Vision UniCAN network. The EXF-RC15 is stand-alone and does not support I/O Expansion Modules.

³ The EX90 is housed in an open casing. Only one EX90 can be connected per PLC, as a single expansion module; Expansion adapter not required.

⁴ IO-LCx models are supported by the M91 & Vision series. Not supported by the M90 series.

⁵ Supported by Vision series. Not supported by M91 series.

Functions as both I/O module and adapter*

IO-D16A3-R016	IO-D16A3-T016	EX-D16A3-R08	EX-D16A3-T016
24VDC, 16 Digital Inputs pnp/npn, including two High-speed Counters, 3 Analog Inputs , 10-bit, 0-20mA, 4-20mA, 16 Relay Outputs	24VDC, 16 Digital Inputs pnp/npn, including one High-speed Counter, 3 Analog Inputs , 10-bit, 0-20mA, 4-20mA, 15 pnp + 1 pnp/npn Transistor Outputs including 1 HSO	24VDC, built-in Expansion Module Adapter, 16 Digital Inputs , pnp/npn, including two High-speed Counters, 3 Analog Inputs 10-bit, 0-20mA, 4-20mA, 8 Relay Outputs	24VDC, built-in Expansion Module Adapter, 16 Digital Inputs , pnp/npn, including one High-speed Counter, 3 Analog Inputs 10-bit, 0-20mA, 4-20mA, 15 pnp + 1 pnp/npn Transistor Outputs including 1 HSO

*Functions as local adapter. Can support up to 7 I/O modules

M91-2-R6C

Art. No. 1\$, +*1

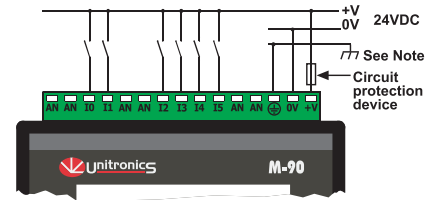
24VDC, 6 pnp/npn digital inputs, 6 analog inputs, 1 high-speed counter/shaft encoder input, 6 relay outputs, I/O expansion port, RS232/RS485, CANbus

Power supply	24VDC
Permissible range	20.4VDC to 28.8VDC with less than 10% ripple
Maximum current consumption	130mA@24VDC (pnp inputs) 180mA@24VDC (npn inputs)
Digital inputs	6 pnp (source) or npn (sink) inputs. See Note 1.
Nominal input voltage	24VDC. See Note 2.
Input voltages for pnp (source):	0-5VDC for Logic '0' 17-28.8VDC for Logic '1'
Input voltages for npn (sink):	17-28.8VDC/<2mA for Logic '0' 0-5VDC/>6mA for Logic '1'
Input current	8mA@24VDC
Input impedance	3K Ω
Response time (except high-speed inputs)	10mS typical
Galvanic isolation	None
Input cable length	Up to 100 meters, unshielded
High-speed counter	Specifications below apply when inputs are wired for use as a high-speed counter input/shaft encoder. See Notes 3 and 4.
Resolution	16-bit
Input frequency	10kHz max.
Minimum pulse	40 μ s

Notes:

- All 6 inputs can be set to pnp (source) or npn (sink) via a single jumper and appropriate wiring.
- npn (sink) inputs use voltage supplied from the controller's power supply.
- Input #0 can function as either high-speed counter or as part of a shaft encoder. In either case, high-speed input specifications apply. When used as a normal digital input, normal input specifications apply.
- Input #1 can function as either counter reset, or as a normal digital input; in either case, specifications are those of a normal digital input. This input may also be used as part of a shaft encoder, in this case, high-speed input specifications apply.

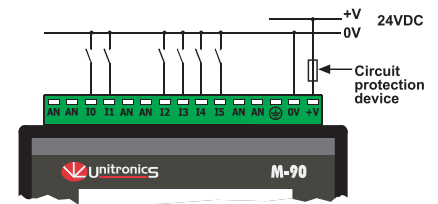
Power supply, pnp (source) inputs



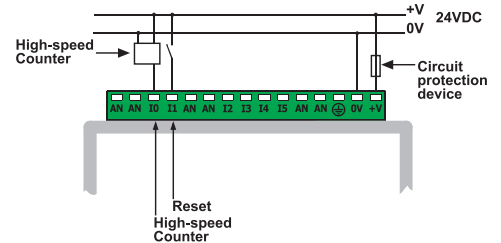
Note:

To avoid electromagnetic interference, mount the controller in a metal panel/cabinet and earth the power supply. Earth the power supply signal to the metal using a wire whose length does not exceed 10cm. If your conditions do not permit this, do not earth the power supply.

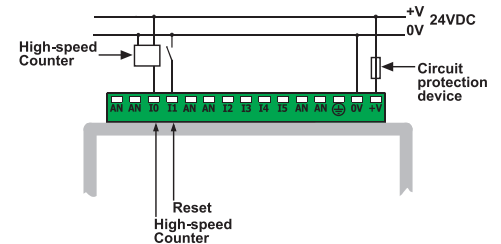
npn (sink) inputs



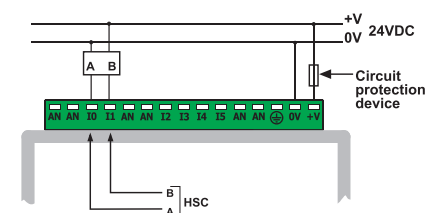
pnp (source) high-speed counter



npn (sink) high-speed counter



Shaft encoder



Warnings:

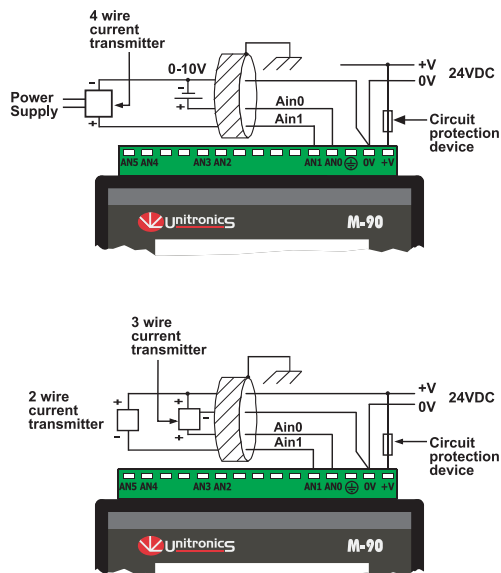
- Unused pins should not be connected. Ignoring this directive may damage the controller.
- Improper use of this product may severely damage the controller.
- Refer to the controller's User Guide regarding wiring considerations.
- Before using this product, it is the responsibility of the user to read the product's User Guide and all accompanying documentation.

Analog Inputs	
Type of Input	
AN0 - AN1	Two 10-bit, multi-range inputs: 0-10V, 0-20mA, 4-20mA
AN2 - AN5	Four 10-bit, current inputs: 0-20mA, 4-20mA. See Note 5
Conversion method	Successive approximation
Input impedance	
AN0 - AN1	>100KΩ for voltage 500Ω for current
AN2 - AN5	243Ω for current
Galvanic isolation	None
Resolution (except 4-20mA)	10-bit (1024 units)
Resolution at 4-20mA	204 to 1023 (820 units)
Conversion time	According to filter
Absolute max. rating	±15V
Full scale error	± 2 LSB
Linearity error	± 2 LSB
Status indication	Yes, See Note 6.

Notes:

- Analog inputs AN2 -AN5 can function only as current inputs.
- The analog value can also indicate when the input is functioning out of range. If an analog input deviates above the permissible range, its value will be 1024.

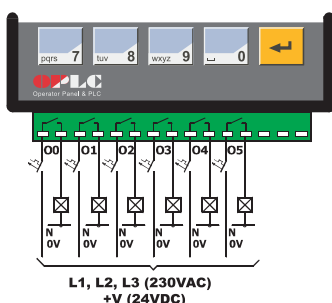
Voltage / Current connection



- Note:
- Shields should be connected at the signals' source.
The 0V signal of the analog input must be connected to the controller's 0V.

Digital outputs	
Output type	6 relay outputs, 230VAC / 24VDC SPST-NO relay
Type of relay	Takamisawa JY-24H-K, or NAIS (Matsushita) JQ1A-24V or OMRON G6B-1114P-24VDC
Isolation	by relay
Output current	5A max. (resistive load) 1A max. (inductive load)
Max. frequency	0.5Hz (at maximum rated load)
Contact protection	External precautions required

Relay Outputs



Spectra GmbH & Co. KG
vertrieb@spectra.de

Display	
Illumination	STN, LCD display LED yellow-green backlight
Display size	2 lines, 16 characters long
Character size	5 x 8 matrix, 2.95 x 5.55mm

Keypad	
Number of keys	Sealed membrane 15

PLC program	
Ladder Code Memory (virtual)	36K
Memory Bits (coils)	256
Memory Integers (Registers)	256
Timers	64
Execution time	12µsec. for bit operations
Database	1024 integers (indirect access)
HMI displays	80 user-designed displays
HMI variables	64 HMI variables are available to conditionally display and modify text, numbers, dates, times & timer values. The user can also create a list of up to 120 variable text displays, totaling up to 2K.

RS232/RS485 serial ports	
Used for:	<ul style="list-style-type: none"> Application Download/Upload Application Testing (Debug) Connect to GSM or standard telephone modem: <ul style="list-style-type: none"> Send/receive SMS messages Remote access programming RS485 Networking

RS232 (See Note 8)	
Galvanic isolation	1 port None
Voltage limits	±20V

RS485 (See Note 8)	
Input voltage	1 port -7 to +12V differential max.
Cable type	Shielded twisted pair, in compliance with EIA RS485
Galvanic isolation	None
Baud rate	110 – 57600 bps
Nodes	Up to 32

Note:

- RS232/RS485 is determined by jumper settings and wiring as described in the document "M91 RS485 Port Settings" packaged with the controller.

I/O expansion port	
	Up to 64 additional I/Os, including digital & analog I/Os, RTD and more.

CANbus port	
Baud rate range	Up to 63 nodes 10Kbps - 1Mbps
Cable length	Up to 1000m for 24VDC network

CANbus connection



Miscellaneous	
Clock (RTC)	Real-time clock functions (Date and Time).
Battery back-up	7 years typical battery back-up for RTC and system data.
Weight	310g (10.93 oz)
Operational temperature	0 to 50°C (32 to 122°F)
Storage temperature	-20 to 60°C (-4 to 140°F)
Relative Humidity (RH)	5% to 95% (non-condensing)
Mounting method	DIN-rail mounted (IP20/NEMA1) Panel mounted (IP65/NEMA4X)

Spectra (Schweiz) AG
info@spectra.ch

spectra

M91-2-R6C

I/O Jumper Settings

The tables below show how to set a specific jumper to change the functionality of the controller. To open the controller and access the jumpers, refer to the directions at the end of these specifications.

Important:

Incompatible jumper settings and wiring connections may severely damage the controller.

Digital Inputs type

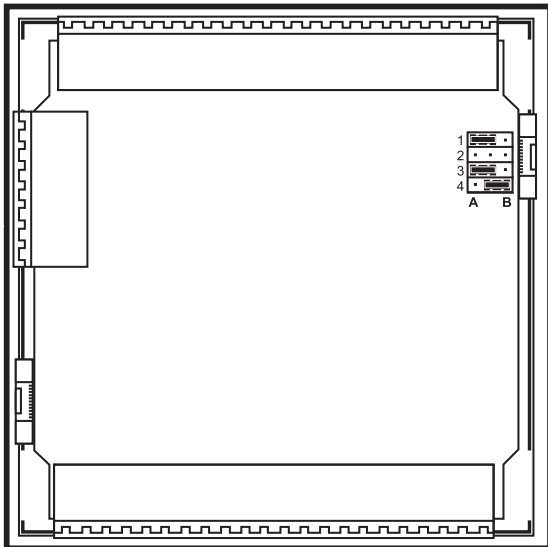
	npn (sink)	pnp (source)*
JP1	A	B

Note:
Jumper #2 is not used.

Analog Inputs type

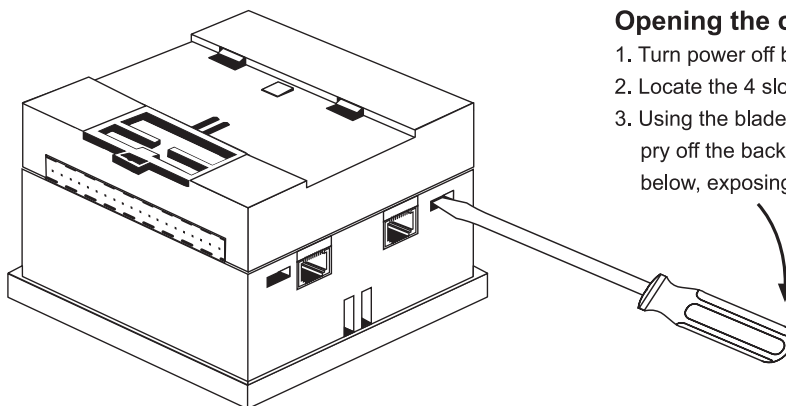
	Voltage	Current*
JP3	A	B
JP4	A	B

*Default factory settings.



In this figure, the jumper settings will cause the controller to function as follows:

- Digital inputs: npn
- Analog input #0: Voltage input
- Analog input #1: Current input



Opening the controller's enclosure

1. Turn power off before opening the controller.
2. Locate the 4 slots on the sides of the enclosure.
3. Using the blade of a flat-bladed screwdriver, gently pry off the back of the controller as shown in the figure below, exposing the controller's board.

Unitronics reserves the right to revise this publication from time to time and to amend its contents and related hardware and software at any time.

Technical updates (if any) may be included in subsequent editions (if any).

Unitronics product sold hereunder can be used with certain products of other manufacturers at the user's sole responsibility.