

V200-18-E2B Snap-in I/O Module

The V200-18-E2B plugs directly into the back of compatible Unitronics OPLCs, creating a self-contained PLC unit with a local I/O configuration.

Features



- 2 analog inputs
- 16 isolated digital inputs, includes 2 H.S.C inputs, type pnp/npn (source/sink)
- 2 analog outputs
- 10 isolated relay outputs
- 4 isolated pnp/npn (source/sink) transistor outputs, includes 2 H.S. outputs

- Before using this product, it is the responsibility of the user to read and understand this document and any accompanying documentation.
- All examples and diagrams shown herein are intended to aid understanding, and do not guarantee operation. Unitronics accepts no responsibility for actual use of this product based on these examples.
- Please dispose of this product in accordance with local and national standards and regulations.
- Only qualified service personnel should open this device or carry out repairs.

User safety and equipment protection guidelines

This document is intended to aid trained and competent personnel in the installation of this equipment as defined by the European directives for machinery, low voltage, and EMC. Only a technician or engineer trained in the local and national electrical standards should perform tasks associated with the device's electrical wiring.

Symbols are used to highlight information relating to the user's personal safety and equipment protection throughout this document. When these symbols appear, the associated information must be read carefully and understood fully.

| Symbol | Meaning | Description |
|---|---------|---|
|  | Danger | The identified danger causes physical and property damage. |
|  | Warning | The identified danger can cause physical and property damage. |
| <i>Caution</i> | Caution | Use caution. |



- Failure to comply with appropriate safety guidelines can result in severe personal injury or property damage. Always exercise proper caution when working with electrical equipment.



- Check the user program before running it.
- Do not attempt to use this device with parameters that exceed permissible levels.
- Install an external circuit breaker and take appropriate safety measures against short-circuiting in external wiring.
- To avoid damaging the system, do not connect / disconnect the device when the power is on.

Caution

- Ascertain that terminal blocks are properly secured in place.

Environmental Considerations



- Do not install in areas with: excessive or conductive dust, corrosive or flammable gas, moisture or rain, excessive heat, regular impact shocks or excessive vibration.



- Provide proper ventilation by leaving at least 10mm of space between the top and bottom edges of the device and the enclosure walls.
- Do not place in water or let water leak onto the unit.
- Do not allow debris to fall inside the unit during installation.

Wiring



- Do not touch live wires.



- Unused pins should not be connected. Ignoring this directive may damage the device.
- Do not connect the 'Neutral' or 'Line' signal of the 110/220VAC to the device's 0V pin.
- Double-check all wiring before turning on the power supply.

Wiring Procedures

Use crimp terminals for wiring; use 26-12 AWG wire (0.13 mm²–3.31 mm²) for all wiring purposes.

1. Strip the wire to a length of 7±0.5mm (0.250–0.300 inches).
2. Unscrew the terminal to its widest position before inserting a wire.
3. Insert the wire completely into the terminal to ensure that a proper connection can be made.
4. Tighten enough to keep the wire from pulling free.

- To avoid damaging the wire, do not exceed a maximum torque of 0.5 N·m (5 kgf·m).
- Do not use tin, solder, or any other substance on stripped wire that might cause the wire strand to break.
- Install at maximum distance from high-voltage cables and power equipment.

I/O Wiring—General

- Input or output cables should not be run through the same multi-core cable or share the same wire.
- Allow for voltage drop and noise interference with input lines used over an extended distance. Use wire that is properly sized for the load.

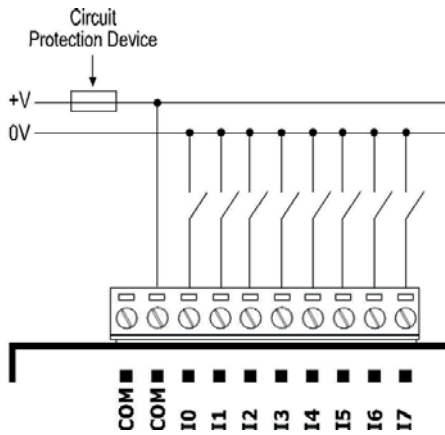
Digital Inputs

Each group of 8 inputs has two common signals. Each group can be used as either pnp (source) or npn (sink), when appropriately wired as shown in the following figures.

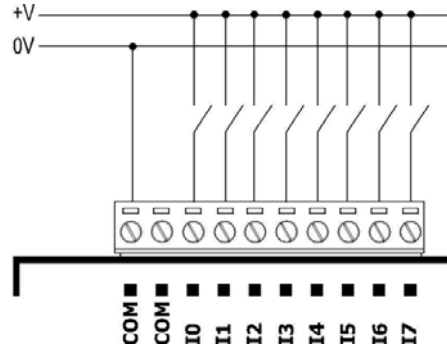
Inputs I0 and I2 can be used as normal digital inputs, as high-speed counters, or as part of a shaft encoder. Inputs I1 and I3 can be used as normal digital inputs, as high-speed counter resets, or as part of a shaft encoder.

- The common signals of each group are internally shorted on each connector.

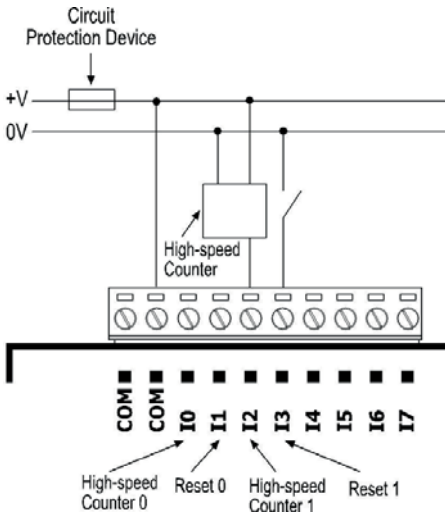
npn (sink) digital input wiring



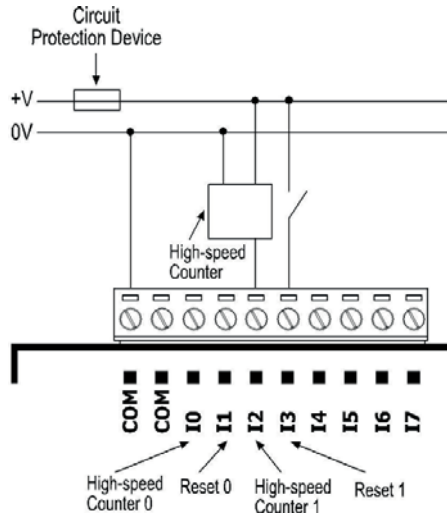
pnp (source) digital input wiring



npn (sink) high-speed counter

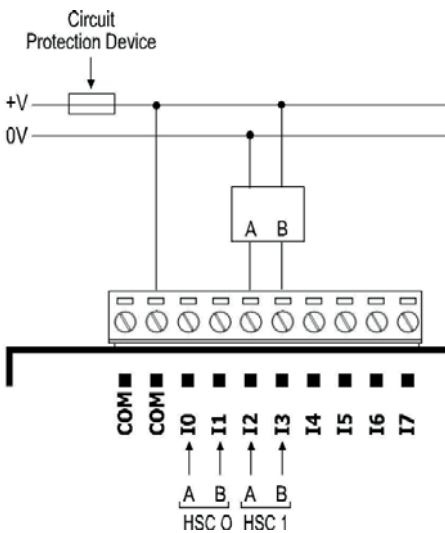


pnp (source) high-speed counter

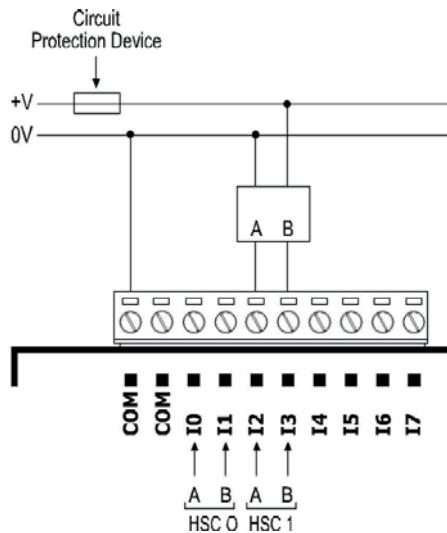


Inputs I0, I1, and I2, I3 can be used as shaft encoders as shown below.

npn (sink) shaft encoder wiring



pnp (source) shaft encoder wiring



Digital Outputs

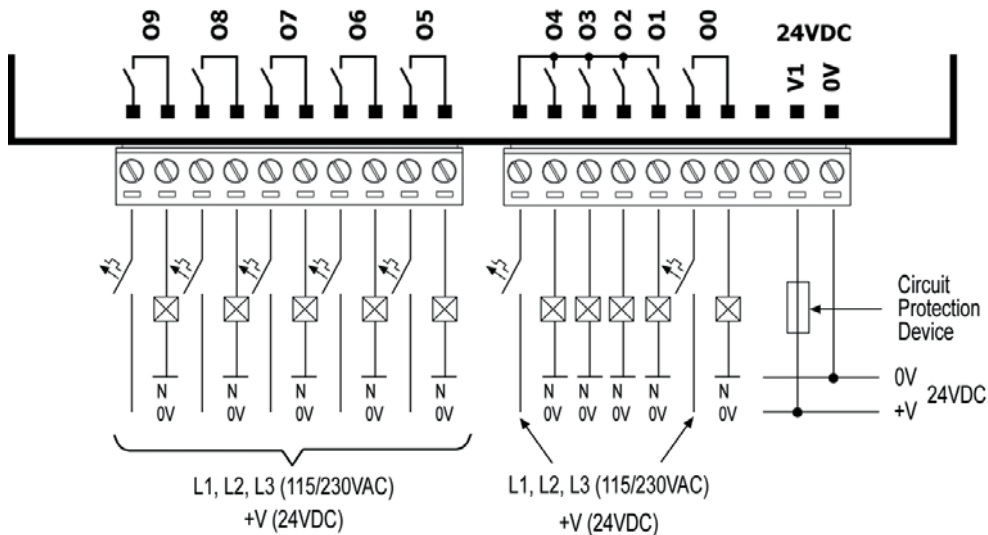
Wiring Power Supplies

1. Connect the "positive" lead to the "V1" terminal for the relay outputs, to the "V2" terminal for the transistor outputs.
2. In both cases, connect the "negative" lead to the "0V" terminal of each output group.

- In the event of voltage fluctuations or non-conformity to voltage power supply specifications, connect the device to a regulated power supply.
- Do not connect the 'Neutral' or 'Line' signal of the 110/220VAC to the device's 0V pin.

Relay Outputs

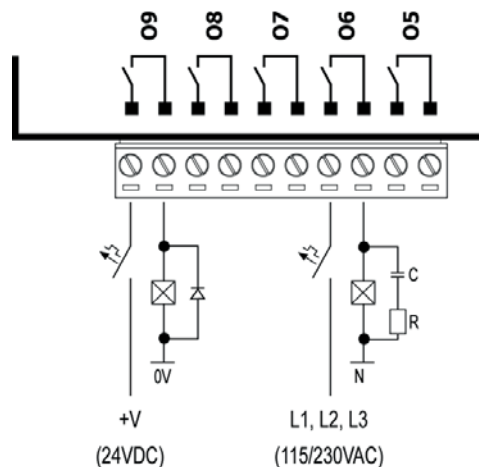
- The 0V signal of the relay outputs is isolated from the controller's 0V signal.



Increasing Contact Life Span

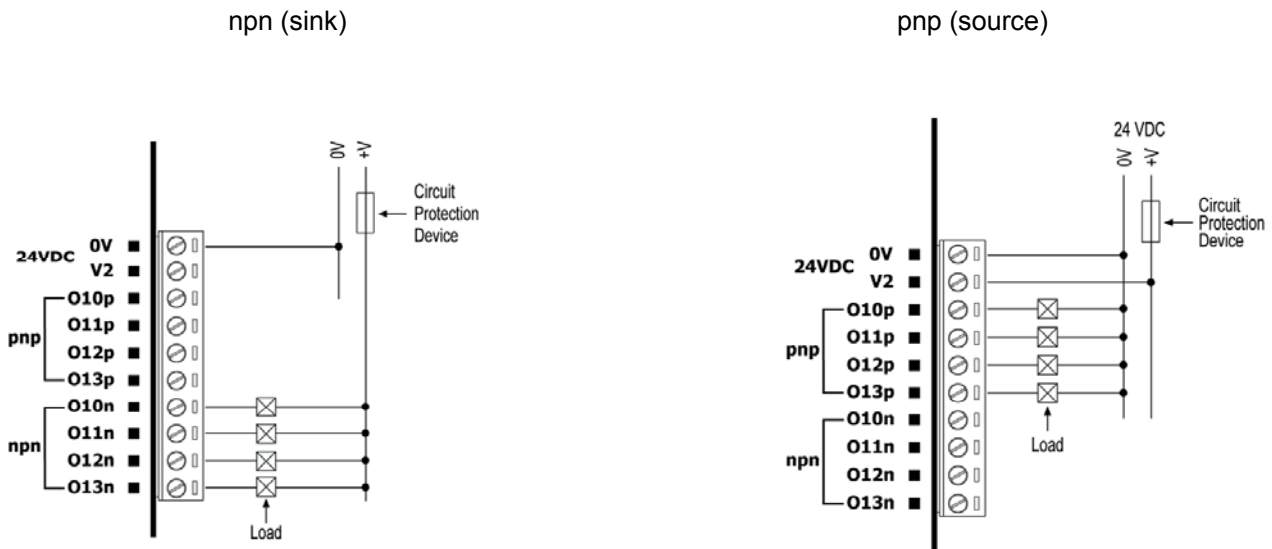
To increase the life span of the relay output contacts and protect the device from potential damage by reverse EMF, connect:

- a clamping diode in parallel with each inductive DC load,
- an RC snubber circuit in parallel with each inductive AC load.



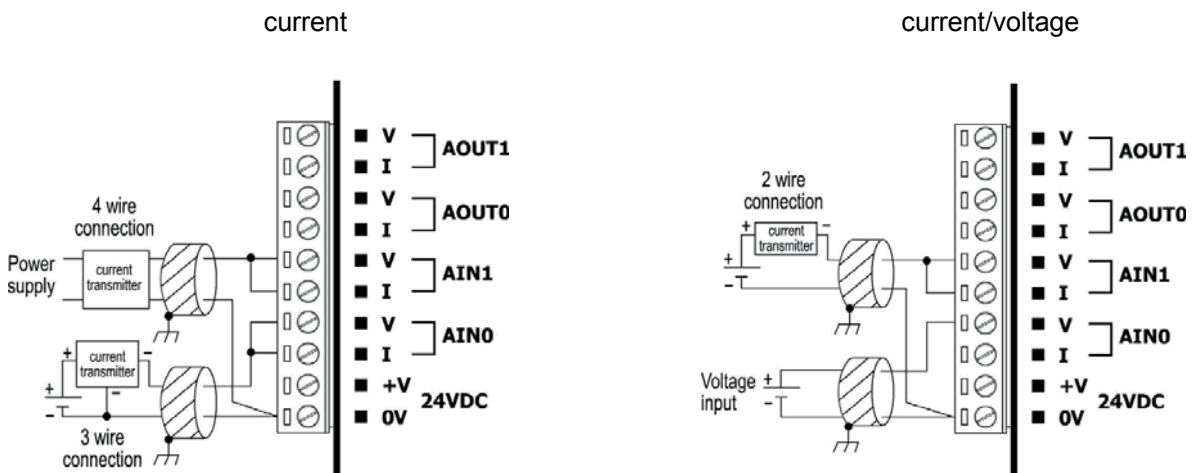
Transistor Outputs

- Each output can be wired separately as either npn or pnp.
- The 0V signal of the transistor outputs is isolated from the controller's 0V signal.



Analog Inputs

- Shields should be connected at the signal source.
- Inputs may be wired to work with either current or voltage.
- Note that the analog input's 0V signal must be the same 0V used by the controller's power supply.



Analog Outputs

Wiring the Analog Outputs' Power Supply

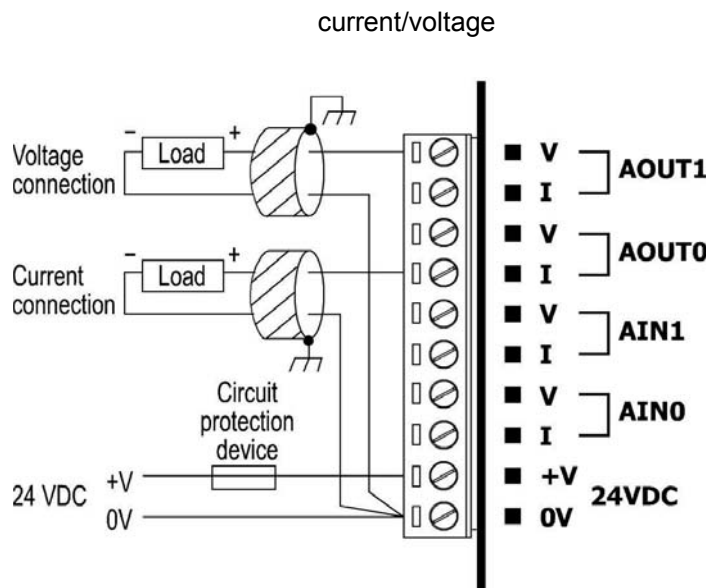
1. Connect the "positive" cable to the "+V" terminal, and the "negative" to the "0V" terminal.
 - The analog 0V signal must be the same 0V used by the controller's power supply.
 - A non-isolated power supply can be used provided that a 0V signal is connected to the chassis.
 - Do not connect the 'Neutral' or 'Line' signal of the 110/220VAC to the device's 0V pin.
 - In the event of voltage fluctuations or non-conformity to voltage power supply specifications, connect the device to a regulated power supply.



The 24VDC power supply must be turned on and off simultaneously with the controller's power supply.

Output Wiring

- Shields should be earthed, connected to the earth of the cabinet.
- An output can be wired to either current or voltage.
- Do not use current and voltage from the same source channel.



V200-18-E2B Technical Specifications

Digital Inputs

| | |
|-----------------------|--|
| Number of inputs | 16 (in two groups) |
| Input type | pnp (source) or npn (sink), set by wiring. |
| Galvanic isolation | Yes |
| Nominal input voltage | 24VDC |
| Input voltage | |
| pnp (source) | 0-5VDC for Logic '0' 17-28.8VDC for Logic '1' |
| npn (sink) | 17-28.8VDC for Logic '0' 0-5VDC for Logic '1' |
| Input current | 6mA@24VDC for inputs #4 to #15 8.8mA@24VDC for inputs #0 to #3 |
| Response time | 10mSec typical |
| High speed inputs | Specifications below apply when these inputs are wired for use as a high-speed counter input/shaft encoder. See Notes 1 and 2. |
| Resolution | 32-bit |
| Frequency | 10kHz maximum |
| Minimum pulse width | 40µs |

Notes:

- Inputs #0 and #2 can each function as either high-speed counter or as part of a shaft encoder. In each case, high-speed input specifications apply. When used as a normal digital input, normal input specifications apply.
- Inputs #1 and #3 can each function as either counter reset, or as a normal digital input; in either case, its specifications are those of a normal digital input. These inputs may also be used as part of a shaft encoder. In this case, high-speed input specifications apply.

Relay Outputs

| | |
|---------------------------|---|
| Number of outputs | 10. See Note 3. |
| Output type | SPST-NO relay; 230VAC / 24VDC |
| Type of relay | Takamisawa (Fujitsu) JY-24H-K or NAIS (Matsushita) JQ1AP-24V or OMRON G6B-1114P-24VDC |
| Galvanic isolation | Yes |
| Output current | <u>Resistive Load</u> 5A maximum per output 8A maximum total for common. See Note 3. <u>Inductive Load</u> 1A maximum per output 4A maximum total for common. See Note 3 |
| Maximum frequency | 10Hz |
| Contact protection | External precautions required (see Increasing Contact Life Span) |
| Outputs' power supply | |
| Nominal operating voltage | 24VDC |
| Operating voltage | 20.4 to 28.8VDC |
| Max. current consumption | 90mA@24VDC |

Notes:

- Outputs #1, #2, #3, and #4 share a common signal. All other outputs have individual contacts.

Transistor Outputs

| | |
|--|---|
| Number of outputs | 4. Each can be individually wired as pnp (source) or npn (sink). |
| Output type | pnp: P-MOSFET (open drain) npn: open collector |
| Galvanic isolation | Yes |
| Output current | pnp: 0.5A maximum (per output) Total current: 2A maximum (per group) npn: 50mA maximum (per output) Total current: 150mA maximum (per group) |
| Maximum frequency | <u>Resistive load</u> 20Hz <u>Inductive load</u> 0.5Hz |
| High speed output maximum frequency (resistive load). See Note 4 | pnp: 2kHz npn: 50kHz |
| ON voltage drop | pnp: 0.5VDC maximum npn: 0.85VDC maximum |
| Short circuit protection | Yes (pnp only) |
| pnp (source) power supply operating voltage | 20.4 to 28.8VDC |
| nominal operating voltage | 24VDC |
| npn (sink) power supply operating voltage | 3.5V to 28.8VDC, unrelated to the voltage of either the I/O module or the controller |

Notes:

4. Outputs #12 and Output #13 may be used as high-speed outputs

Analog Inputs

| | |
|-------------------------------|--|
| Number of inputs | 2 (single-ended) |
| Input range | 0-10V, 0-20mA, 4-20mA. See Note 5. |
| Conversion method | Successive approximation |
| Resolution (except at 4-20mA) | 10-bit (1024 units) |
| Resolution at 4-20mA | 204 to 1023 (820 units) |
| Conversion time | Synchronized to scan time |
| Input impedance | >100K Ω —voltage 500 Ω —current |
| Galvanic isolation | None |
| Absolute maximum rating | ± 15 V—voltage ± 30 mA—current |
| Full-scale error | ± 2 LSB (0.2%) |
| Linearity error | ± 2 LSB (0.2%) |

Analog Outputs

| | |
|-------------------------------|---|
| Number of outputs | 2 (single-ended) |
| Output range | 0-10V, 0-20mA, 4-20mA. See Note 5. |
| Resolution (except at 4-20mA) | 12-bit (4096 units) |
| Resolution at 4-20mA | 819 to 4095 (3277 units) |
| Conversion time | Synchronized to scan time. |
| Load impedance | 1k Ω minimum—voltage 500 Ω maximum—current |
| Galvanic isolation | None |
| Linearity error | $\pm 0.1\%$ |
| Operational error limits | $\pm 0.2\%$ |

Notes:

5. Note that the range of each I/O is defined both by wiring and within the controller's software.

Environmental

| | |
|------------------------|-------------------------------|
| | IP20 / NEMA1 |
| Operating temperature | 0° to 50°C (32° to 122°F) |
| Storage temperature | -20° to 60° C (-4° to 140°F) |
| Relative Humidity (RH) | 5% to 95% (non-condensing) |
| Dimensions (WxHxD) | 138x23x123mm (5.43x0.9x4.84") |
| Weight | 231g (8.13 oz) |

About Unitronics

Unitronics Industrial Automation Systems has been producing PLCs, automation software and accessory devices since 1989.

Unitronics' OPLC controllers combine full-function PLCs and HMI operating panels into single, compact units. These HMI + PLC devices are programmed in a single, user-friendly environment. Our clients save I/O points, wiring, space, and programming time; elements that translate directly into cost-efficiency.

Unitronics supports a global network of distributors and sales representatives, as well as a U.S. subsidiary.

For more information regarding Unitronics products, contact your distributor or Unitronics headquarters via email: export@unitronics.com.



Under no circumstances will Unitronics be liable or responsible for any consequential damage that may arise as a result of installation or use of this equipment, and is not responsible for problems resulting from improper or irresponsible use of this device.

No part of this document may be used for any purpose other than for the purposes specifically indicated herein nor may it be reproduced or transmitted in any form or by any means, electronic or mechanical, including photocopying and/or recording, for any purpose without written permission from Unitronics.

The information appearing in this document is for general purposes only. Unitronics makes no warranty of any kind with regard to the information appearing in this document, including, but not limited to, implied warranties of merchantability and/or fitness for a particular use or purpose. Unitronics assumes no responsibility for the results, direct and/or indirect, of any misuse of the information appearing in this document nor for any use of the Unitronics products referred to herein in any manner deviating from the recommendations made in this document. Unitronics assumes no responsibility for the use of any parts, components, or other ancillary appliances including circuitry other than as recommended hereunder or other than that embodied in the Unitronics product.

Unitronics retains all rights to its proprietary assets including, but not limited to its software products which are copyrighted and shall remain the property of Unitronics. Copyright protection claimed includes all Forms and matters of copyrightable materials and information legally allowed including but not limited to material generated from the software programs which are displayed on the screen of the Unitronics products such as styles, templates, icons, screen displays, looks, etc. Duplication and/or any unauthorized use thereof are strictly prohibited without prior written permission from Unitronics.

All brand or product names are used for identification purpose only and may be trademarks or registered trademarks of their respective holders.

Unitronics reserves the right to revise this publication from time to time and to amend its contents and related hardware and software at any time. Technical updates (if any) may be included in subsequent editions (if any).

Unitronics product sold hereunder can be used with certain products of other manufacturers at the user's sole responsibility.