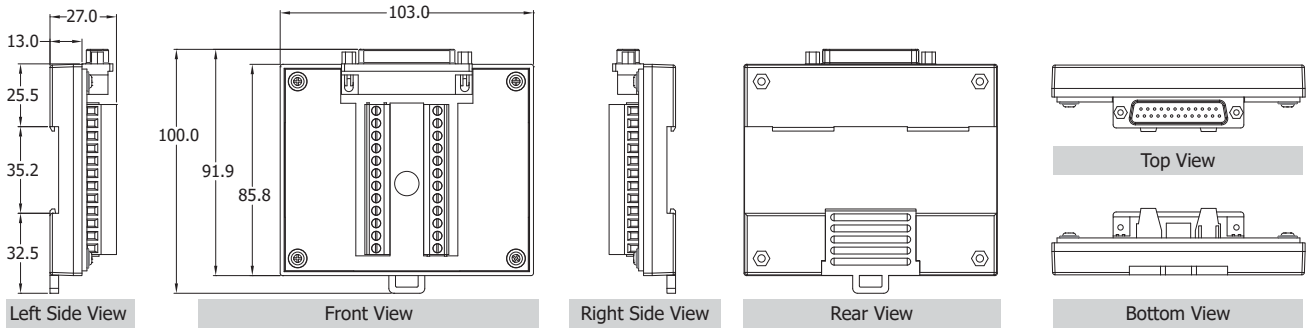


DN-1823



Ordering Information

M-7019Z-G/S CR	10-ch Universal AI Module using DCON and Modbus Protocols (Gray Cover) (RoHS) Includes DB-1820 Daughter Board and 4PAPP-006-G
M-7019Z-G/S2 CR	10-ch Universal AI Module using DCON and Modbus Protocols (Gray Cover) (RoHS) Includes DN-1822 Daughter Board, CA-252518D-1 1.8 m Cable and 4PAPP-006-G
M-7019Z-G/S3 CR	10-ch Universal AI Module using DCON and Modbus Protocols (Gray Cover) (RoHS) Includes DN-1823 Daughter Board, CA-2525015D 15 cm Cable and 4PAPP-006-G

<p>M-7019Z-G/S = DB-1820 Connects to the M-7019Z Directly</p>	<p>M-7019Z-G/S2 = DN-1822 Connects to the M-7019Z Directly</p>	<p>M-7019Z-G/S3 = DN-1823 Connects to the M-7019Z Directly</p>
--	---	---

Accessories

CD-2518D CR	DB25 Male to Female 1.8 m Cable (180°) and DIN-Rail Mount for the DB-1820 (RoHS)
CD-25015 CR	DB25 Male to Female 15 cm Cable (90°) and DIN-Rail Mount for the DB-1820 (RoHS)

M-7019Z-G/S + CD-25015 + 4PAPP-006-G	M-7019Z-G/S + CD-2518D
---	-------------------------------

Related Products

tM-7520U CR	RS-232 to RS-485 Converter (RoHS)	I-7514U CR	4-channel RS-485 Hub (RoHS)
tM-7561 CR	USB to RS-485 Converter (RoHS)	SG-770 CR	7-channel Differential or 14-channel Single-ended Surge Protector (RoHS)
tM-SG4 CR	RS-485 Bias and Termination Resistor Module (RoHS)	SG-3000 Series	Signal Conditioning Modules for Thermocouple, RTD, DC Voltage, DC Current and Power Input Transformers