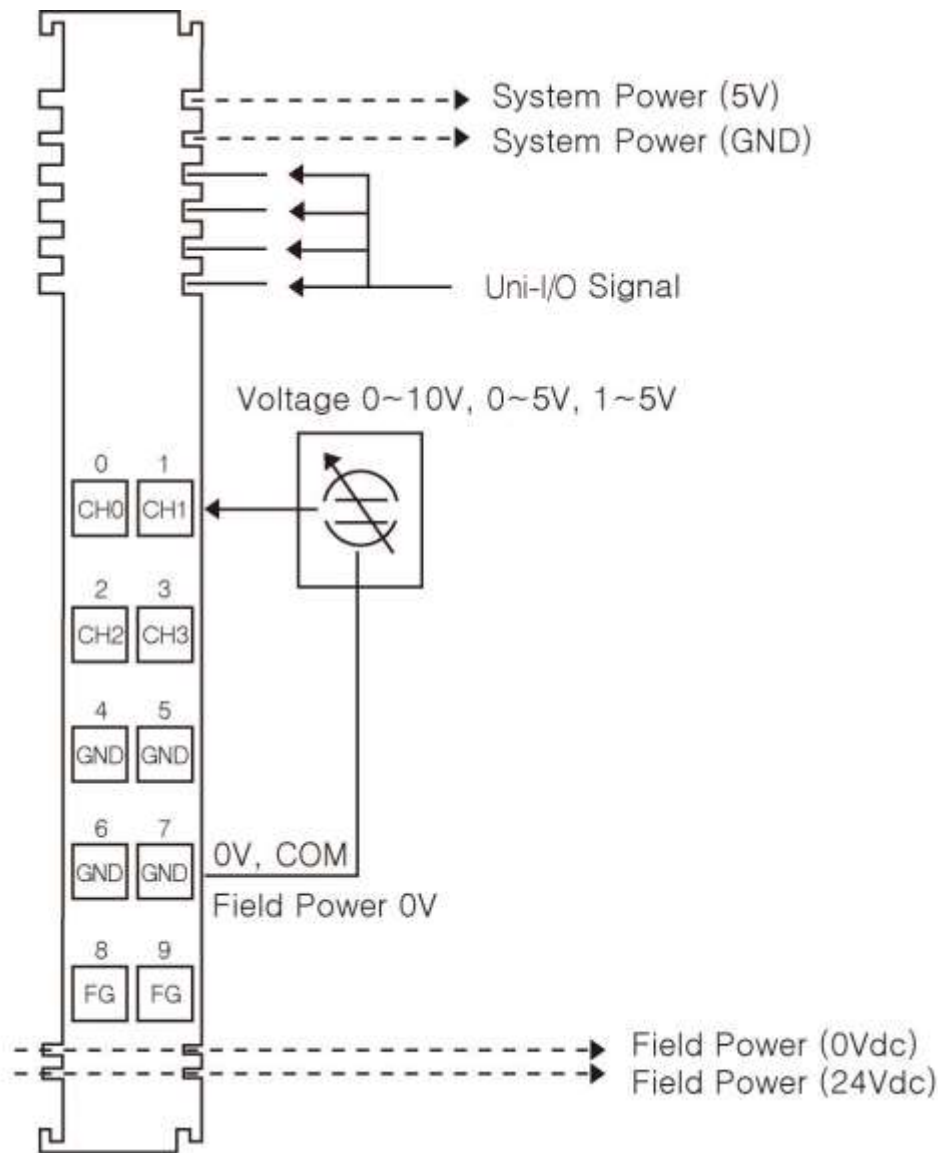
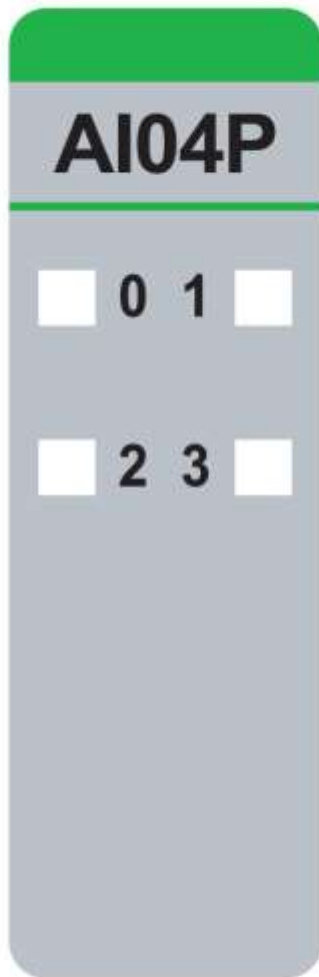


URA-0400P (AI04P) - 4 Analog Voltage Inputs 12bit Art. No. 156772

1. Specifications

Items	Specification
Inputs per module	4 Inputs single ended, non-isolated between inputs
Indicators(Logic side)	4 Green Input status
Resolution in Ranges	12 bits : 2.44mV/Bit(0~10V) , 1.22mV/Bit(0~5V), 0.977mV/Bit(1~5V)
Input Current Range	0~10VDC, 0~5VDC, 1~5VDC
Data Format	16bits Integer (2's complement)
Module Error	±0.1% Full Scale @ 25°C ambient ±0.3% Full Scale @ -40°C, 70°C
Input Impedance	500kΩ
Diagnostic	Diagnostic Field Power Off : LED Blinking Field Power On : LED Off < 0.5% (Maximum Input Value) Field Power On : LED On > 0.5% (Maximum Input Value)
Conversion Time	≤350usec / All input
Calibration	Not Required
Common Type	4 Common, Field Power 0V is Common(AGND)
Power dissipation	Max. 25mA @ 5.0VDC
Isolation	I/O to Logic : Isolation Field power : Non-Isolation
Field Power	Supply Voltage : 24VDC nominal Voltage Range : 18 to 32VDC Power Dissipation : Max. 25mA@24VDC
Wiring	I/O Cable Max. 2.0mm ² (AWG 14)
Weight	58g
Module Size	12mm x 99mm x 70mm

2. Wiring Diagram



Pin No.	Signal Description	Pin No.	Signal Description
0	Input 0	1	Input 1
2	Input 2	3	Input 3
4	Input Common(AGND)	5	Input Common(AGND)
6	Input Common(AGND)	7	Input Common(AGND)
8	Field Ground	9	Field Ground

3. LED Indicators

LED No.	LED Function / Description	LED Color
0	Input 0	Green
1	Input 1	Green
2	Input 2	Green
3	Input 3	Green

Status	LED	Indication
Normal Operation	[LED Off < 0.5% (Maximum Input Value)] - Input OFF [LED On > 0.5% (Maximum Input Value)] - Input Green	Normal Operation
Field Power Error	All Input Repeat the Green and OFF	Field Power is unconnected