

IES-3240

➤ Industrial 24-port managed Ethernet switch with 24x10/100Base-T(X)

Features

- Fastest Redundant Ethernet Ring : **O-Ring** (recovery time < 10ms over 250 units of connection)
- **Open-Ring** supports the other vendor's ring technology in open architecture
- **O-RSTP** supports applications with complex topology
- STP/RSTP/MSTP supported
- Supports **PTP Client** (Precision Time Protocol) clock synchronization
- IGMP v2/v3 (IGMP snooping support) for filtering multicast traffic
- Port Trunking for easy of bandwidth management
- SNMP v1/v2c/v3 support for secured network management
- RMON for traffic monitoring
- Event notification through Syslog, Email, SNMP trap, and Relay Output
- Port lock to prevent access from unauthorized MAC address
- Windows utility (**Open-Vision**) support centralized management and configurable by Web-based interface, Telnet, and Console (CLI)
- Rigid IP-30 housing design
- DIN-Rail and wall mounting enabled
- Supports LLDP Protocol

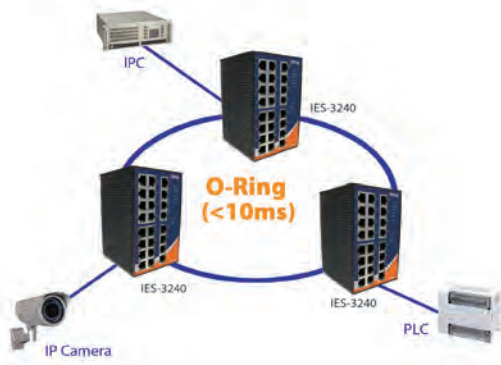


Introduction

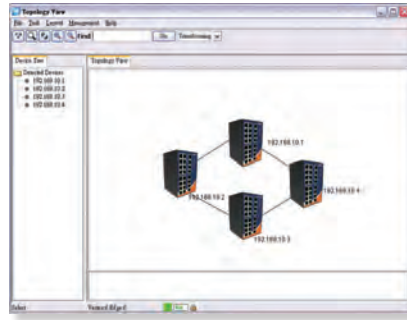
IES-3240 is a managed Redundant Ring Ethernet switch with 24x10/100Base-T(X) ports. With complete support of Ethernet Redundancy protocol, O-Ring (recovery time < 10ms over 250 units of connection), Open-Ring, O-RSTP and MSTP/RSTP/STP (IEEE 802.1s/w/D) can protect your mission-critical applications from network interruptions or temporary malfunctions with its fast recovery technology. All function of IES-3240 can be managed centralized and convenient by a powerful windows utility — Open-Vision. In addition, the wide operating temperature range from -40 to 70°C can satisfy most of operating environment. Therefore, the switch is one of the most reliable choice for highly-managed Ethernet application.

Open-Vision

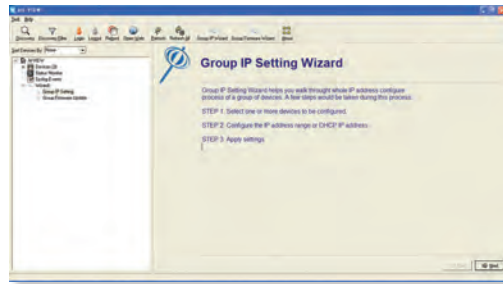
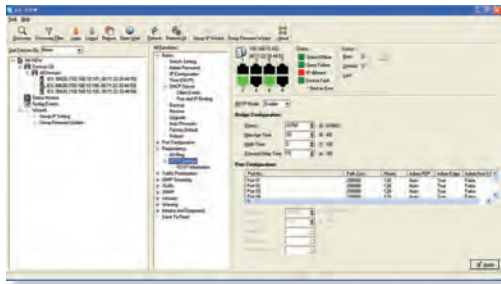
IES-3240 is an intelligent switch. Different from other traditional redundant switches, IES-3240 provides a set of Windows utility (Open-Vision) for user to manage and monitor all of industrial Ethernet switches in the industrial network.



Network connection

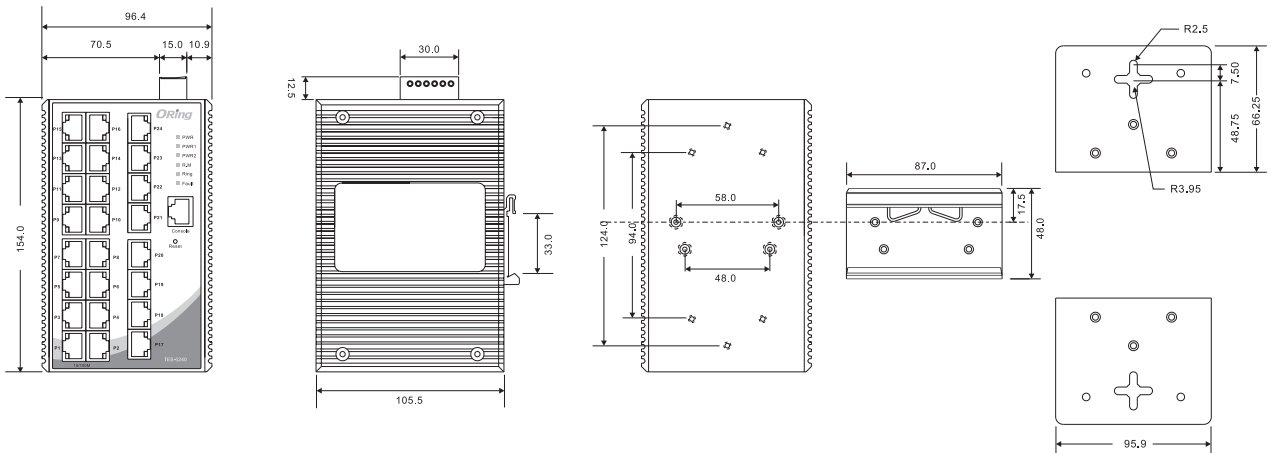


Topology View



Monitoring and Configuration interface

Dimensions



(Unit=mm)

Specifications

ORing Switch Model	IES-3240
Physical Ports	
10/100Base-T(X) Ports in RJ45 Auto MDI/MDIX	24
Technology	
Ethernet Standards	IEEE 802.3 for 10Base-T IEEE 802.3u for 100Base-TX IEEE 802.3x for Flow control IEEE 802.3ad for LACP (Link Aggregation Control Protocol) IEEE 802.1D for STP (Spanning Tree Protocol) IEEE 802.1p for COS (Class of Service) IEEE 802.1Q for VLAN Tagging IEEE 802.1w for RSTP (Rapid Spanning Tree Protocol) IEEE 802.1s for MSTP (Multiple Spanning Tree Protocol) IEEE 802.1x for Authentication IEEE 802.1AB for LLDP (Link Layer Discovery Protocol)
MAC Table	8192 MAC addresses
Priority Queues	4
Processing	Store-and-Forward
Switch Properties	Switching bandwidth : 4.8 Gbps Max. Number of Available VLANs : 4096 IGMP multicast groups : 1024 Port rate limiting : User Define
Security Features	Enable/disable ports, MAC based port security Port based network access control (802.1x) VLAN (802.1Q) to segregate and secure network traffic Supports Q-in-Q VLAN for performance & security to expand the VLAN space Radius centralized password management SNMP v1/v2c/v3 encrypted authentication and access security
Software Features	STP/RSTP/MSTP (IEEE 802.1D/w/s) Redundant Ring (O-Ring) with recovery time less than 10ms over 250 units TOS/Diffserv supported Quality of Service (802.1p) for real-time traffic VLAN (802.1Q) with VLAN tagging and GVRP supported IGMP Snooping for multicast filtering Port configuration, status, statistics, monitoring, security SNTP for synchronizing of clocks over network Support PTP Client (Precision Time Protocol) clock synchronization DHCP Server / Client support Port Trunk support MVR (Multicast VLAN Registration) support
Network Redundancy	O-Ring Open-Ring O-RSTP STP RSTP MSTP
Warning / Monitoring System	Relay output for fault event alarming Syslog server / client to record and view events Include SMTP for event warning notification via email Event selection support
RS-232 Serial Console Port	RS-232 in RJ45 connector with console cable. 9600bps, 8, N, 1
LED Indicators	
Power Indicator	Green : Power LED x 3
R.M. Indicator	Green : Indicates that the system is operating in O-Ring master mode
O-Ring indicator	Green : Indicates that the system is operating in O-Ring mode
Fault Indicator	Amber : Indicates unexpected event occurred
10/100Base-T(X) RJ45 port indicator	Green for port Link/Act. Amber for Duplex/Collision
Fault Contact	
Relay	Relay output to carry capacity of 1A at 24VDC

Power	
Redundant Input Power	Dual DC inputs. 12~48VDC on 6-pin terminal block
Power Consumption (Typ.)	9.6 Watts
Overload Current Protection	Present
Reverse Polarity Protection	Present
Physical Characteristics	
Enclosure	IP-30
Dimensions (W x D x H)	96(W) x 109.2(D) x 153.6(H) mm (3.78 x 4.3 x 6.05 inch)
Weight (g)	1052 g
Environmental	
Storage Temperature	-40 to 85°C (-40 to 185°F)
Operating Temperature	-40 to 70°C (-40 to 158°F)
Operating Humidity	5% to 95% Non-condensing
Regulatory Approvals	
EMI	FCC Part 15, CISPR (EN55022) class A
EMS	EN61000-4-2 (ESD), EN61000-4-3 (RS), EN61000-4-4 (EFT), EN61000-4-5 (Surge), EN61000-4-6 (CS), EN61000-4-8, EN61000-4-11
Shock	IEC60068-2-27
Free Fall	IEC60068-2-32
Vibration	IEC60068-2-6
Safety	EN60950-1
Warranty	5 years

Ordering Information

IES-3 **AA** **B**

Code Definition	10/100Base-T(X) Port Number	Additional Port Number
Option	- 24 : 24 ports	- 0 : 0 ports

Available Model	Model Name	Description
	IES-3240	Industrial 24-port managed Ethernet switch with 24x10/100Base-T(X)

Packing List

- IES-3240
- DIN-Rail Kit
- Wall-mount Kit
- Console Cable
- ORing Tool CD
- Quick Installation Guide

Optional Accessories (Can be purchased separately)

- Open-Vision M500, Powerful Network Management Windows Utility Suite, 500 IP devices
- DR-45 series, 45W DIN-Rail power supply
- DR-75 series, 75W DIN-Rail power supply
- DR-120 series, 120W DIN-Rail power supply
- SDR-240-48, 240W DIN-Rail power supply
- SDR-480-48, 480W DIN-Rail power supply