

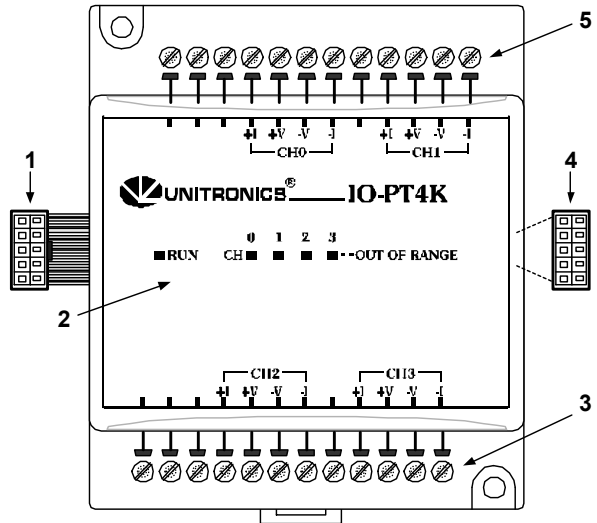
IO-PT400, IO-PT4K I/O Expansion Modules 4 RTD Inputs

IO-PT400 and IO-PT4K are I/O Expansion Modules that can be used in conjunction with specific Unitronics OPLC controllers.

This module is offered in two models. Each module offers 4 RTD inputs for temperature measurement:

Part No.	RTD Type
I/O-PT400	PT100, NI100, NI120 ¹
I/O-PT4K	PT1000, NI1000

The interface between the module and the OPLC is provided by an adapter. The module may either be snap-mounted on a DIN rail, or screw-mounted onto a mounting plate.



Component identification*	
1	Module-to-module connector
2	Status indicators
3	Input connection points, CH2 & CH3
4	Module-to-module connector port
5	Input connection points, CH0 & CH1

*Note that the model shown represents all models.

- Before using this product, it is the responsibility of the user to read and understand this document and any accompanying documentation.
- All examples and diagrams shown herein are intended to aid understanding, and do not guarantee operation. Unitronics accepts no responsibility for actual use of this product based on these examples.
- Please dispose of this product in accordance with local and national standards and regulations.
- Only qualified service personnel should open this device or carry out repairs.

User safety and equipment protection guidelines

This document is intended to aid trained and competent personnel in the installation of this equipment as defined by the European directives for machinery, low voltage, and EMC. Only a technician or engineer trained in the local and national electrical standards should perform tasks associated with the device's electrical wiring.

Symbols are used to highlight information relating to the user's personal safety and equipment protection throughout this document. When these symbols appear, the associated information must be read carefully and understood fully.

Symbol	Meaning	Description
	Danger	The identified danger causes physical and property damage.
	Warning	The identified danger can cause physical and property damage.
Caution	Caution	Use caution.



- Failure to comply with appropriate safety guidelines can result in severe personal injury or property damage. Always exercise proper caution when working with electrical equipment.

¹ Note that the temperature range for NI120 is not standard: -50° to 172°C (-58° to 341°F).



- Check the user program before running it.
- Do not attempt to use this device with parameters that exceed permissible levels.
- Install an external circuit breaker and take appropriate safety measures against short-circuiting in external wiring.
- To avoid damaging the system, do not connect / disconnect the device when the power is on.

Environmental Considerations



- Do not install in areas with: excessive or conductive dust, corrosive or flammable gas, moisture or rain, excessive heat, regular impact shocks or excessive vibration.

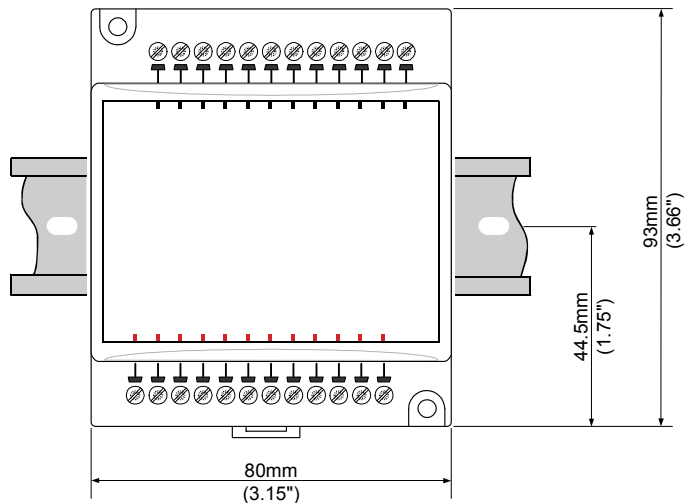
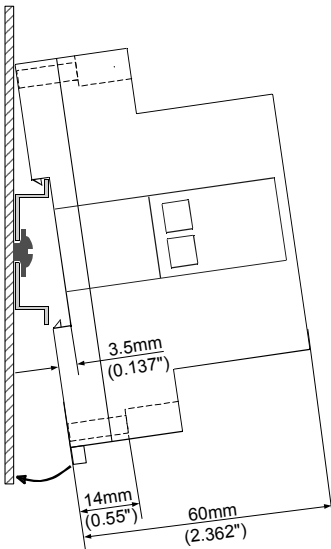


- Leave a minimum of 10mm space for ventilation between the top and bottom edges of the device and the enclosure walls.
- Do not place in water or let water leak onto the unit.
- Do not allow debris to fall inside the unit during installation.

Mounting the Module

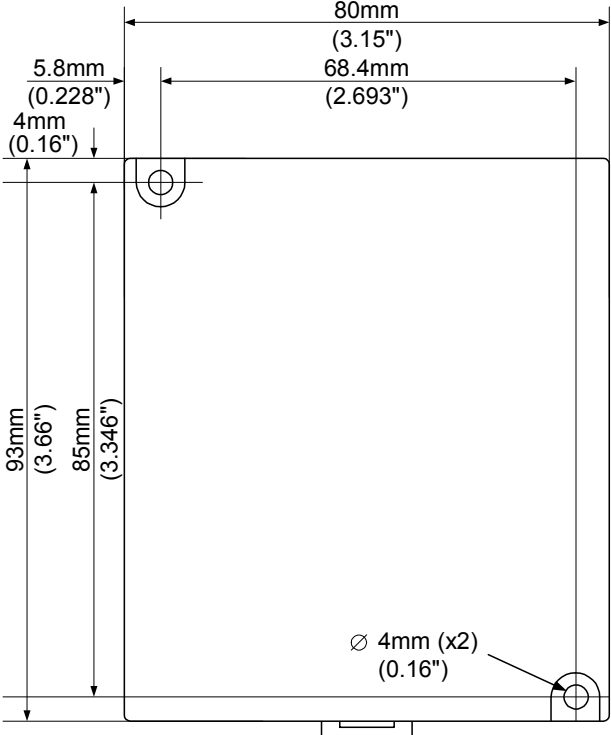
DIN-rail mounting

Snap the device onto the DIN rail as shown below; the module will be squarely situated on the DIN rail.



Screw-Mounting

The figure below is not drawn to scale. It may be used as a guide for screw-mounting the module.
Mounting screw type: either M3 or NC6-32.



Connecting Expansion Modules

An adapter provides the interface between the OPLC and an expansion module. To connect the I/O module to the adapter or to another module:

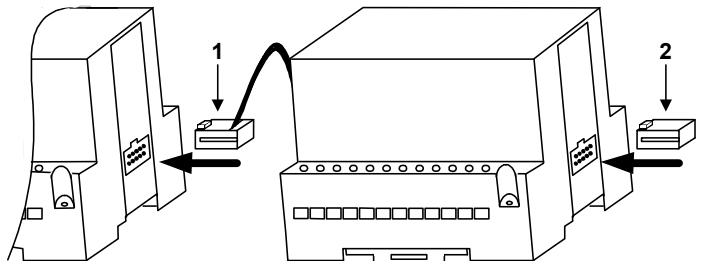
1. Push the module-to-module connector into the port located on the right side of the device.

Note that there is a protective cap provided with the adapter. This cap covers the port of the **final** I/O module in the system.



- To avoid damaging the system, do not connect or disconnect the device when the power is on.

Component identification	
1	Module-to-module connector
2	Protective cap



Wiring



- Do not touch live wires.



- Unused pins should not be connected. Ignoring this directive may damage the device.
- Double-check all wiring before turning on the power supply.

Wiring Procedures

Use crimp terminals for wiring; use 26-14 AWG wire (0.13 mm^2 – 3.31 mm^2) for all wiring purposes.

1. Strip the wire to a length of $7 \pm 0.5 \text{ mm}$ (0.250 – 0.300 inches).
2. Unscrew the terminal to its widest position before inserting a wire.
3. Insert the wire completely into the terminal to ensure that a proper connection can be made.
4. Tighten enough to keep the wire from pulling free.

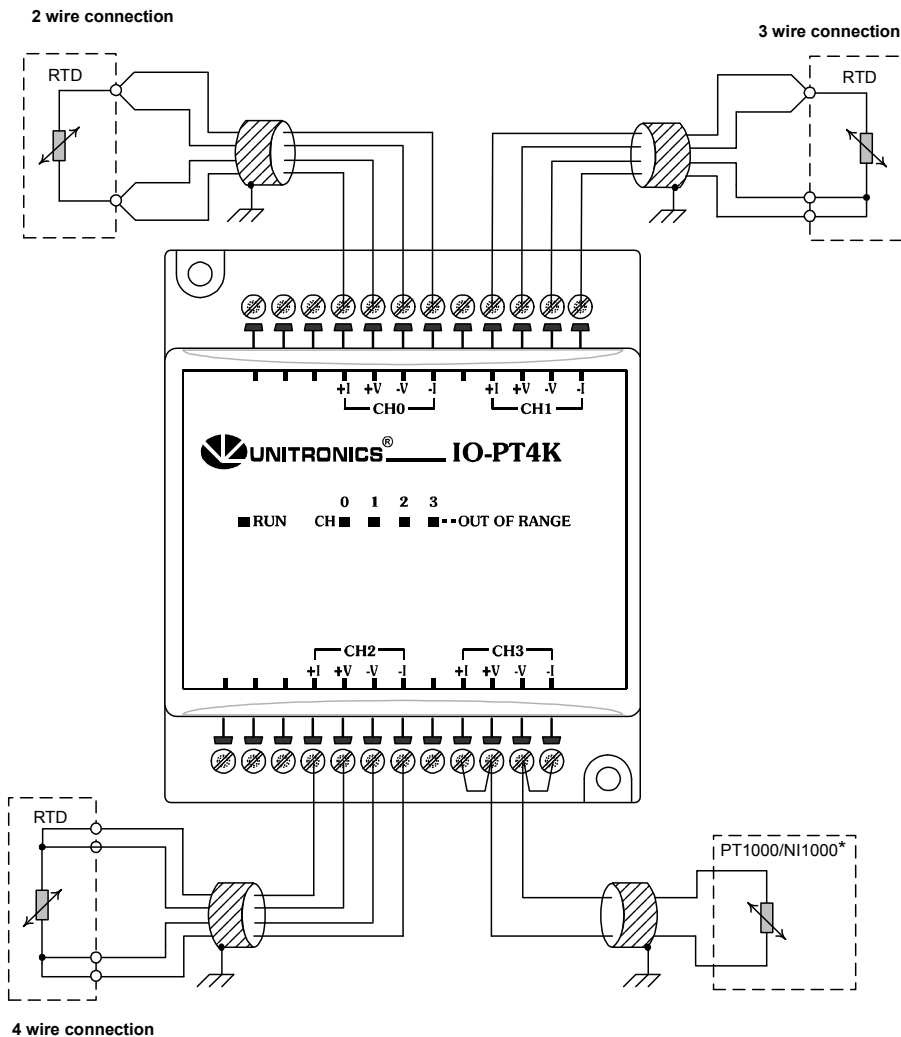
- To avoid damaging the wire, do not exceed a maximum torque of $0.5 \text{ N}\cdot\text{m}$ ($5 \text{ kgf}\cdot\text{cm}$).
- Do not use tin, solder, or any other substance on stripped wire that might cause the wire strand to break.
- Install at maximum distance from high-voltage cables and power equipment.

I/O Wiring—General

- Input or output cables should not be run through the same multi-core cable or share the same wire.
- Allow for voltage drop and noise interference with input lines used over an extended distance. Use wire that is properly sized for the load.

Analog Inputs

- Shields should be connected at the signal source.



* RTD input types PT1000/Ni1000 support a two-wire connection, because the high resistance (1000 ohm) of the sensor element compensates for voltage drop.

IO-PT400, IO-PT4K Technical Specifications

Max. current consumption	35mA maximum from the adapter's 5VDC
Typical power consumption	0.09W @ 5VDC
Status indicator (RUN)	Green LED: —Lit when a communication link is established between module and OPLC. —Blinks when the communication link fails.

Analog Inputs

Number of inputs	4
Model number	I/O-PT400 I/O-PT4K
RTD type	PT100, NI100, NI120 PT1000, NI1000
Temperature coefficient α	PT: 385/392, NI100: 618, NI120: 672 PT: 385/392, NI: 618

See Note 1

Temperature unit	°C and °F	
Temperature range		
PT100/1000	-50° to 460°C (-58° to 860°F)	
NI100/1000	-50° to 232°C (-58° to 449°F)	
NI120	-50° to 172°C (-58° to 341°F)	
Isolation	None	
Resolution	12-bit (4096 units)	
Measurement resolution	±0.1°C (0.1°F). See Note 2.	
Conversion method	Successive approximation	
Conversion time	40msec	
Input impedance	10MΩ minimum	
Auxiliary current		
PT100/NI100/NI120	1.9mA	
PT1000/NI1000	0.19mA	
Linearity error	I/O-PT400 I/O-PT4K	
	±0.3°C (0.6°F) (±0.05%)	±0.4°C (0.8°F) (±0.06%)
Temperature accuracy	±0.4°C (0.8°F)	
Status indicators (OUT OF RANGE)	Red LEDs—Lit when the corresponding input measures an analog value (temperature) outside of the permissible range. See Note 3.	
Connection options	2, 3 or 4 wires	

Environmental

Operating temperature	IP20 / NEMA1
Storage temperature	0° to 50°C (32 to 122° F)
Relative Humidity (RH)	-20° to 60°C (-4 to 140° F)
Dimensions (WxHxD)	10% to 95% (non-condensing)
Weight	80 x 93 x 60mm (3.15 x 3.66 x 2.362")
Mounting	140.3g (4.94oz.)
	Either onto a 35mm DIN-rail or screw-mounted.

Notes:

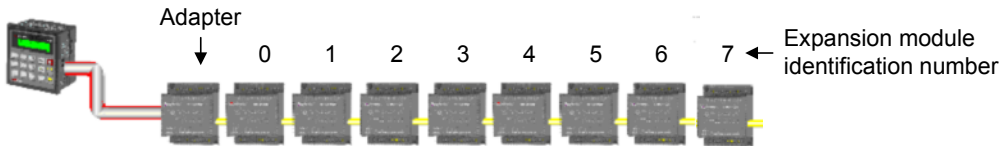
1. Alpha (α) type is selected in software. The PT default setting is 385.
2. The input analog value represents the temperature value as follows:
Analog value-262 Actual measured temperature: 26.2°C
3. The temperature values can also indicate certain faults as shown in the following table.

Value	Possible Cause
-10000 (-1000°)	<ul style="list-style-type: none"> ■ Input temperature is out of the permissible range (under -50°C) ■ -I signal is not connected ■ Sensor is short-circuited
10000 (1000°)	<ul style="list-style-type: none"> ■ Input temperature is out of the permissible range (PT: over 460°C) (NI: over 232° C) (NI120: over 172°C) ■ Sensor is not connected to input ■ +I or +V signals are not connected ■ -I and -V signals are not connected

Addressing I/Os on Expansion Modules

Inputs and outputs located on I/O expansion modules that are connected to an OPLC are assigned addresses that comprise a letter and a number. The letter indicates whether the I/O is an input (I) or an output (O). The number indicates the I/O's location in the system. This number relates to both the position of the expansion module in the system, and to the position of the I/O on that module.

Expansion modules are numbered from 0-7² as shown in the figure below.



The formula below is used to assign addresses for I/O modules used in conjunction with the OPLC.

X is the number representing a specific module's location (0-7). Y is the number of the input or output on that specific module (0-15).

The number that represents the I/O's location is equal to:

$$32 + x \cdot 16 + y$$

Examples

- Input #3, located on expansion module #2 in the system, will be addressed as I 67,
 $67 = 32 + 2 \cdot 16 + 3$
- Output #4, located on expansion module #3 in the system, will be addressed as O 84,
 $84 = 32 + 3 \cdot 16 + 4$.

About Unitronics

Unitronics has been producing PLCs, automation software and accessory devices since 1989.

Unitronics' OPLC controllers combine full-function PLCs and HMI operating panels into single, compact units. These HMI + PLC devices are programmed in a single, user-friendly environment. Our clients save I/O points, wiring, space, and programming time; elements that translate directly into cost-efficiency.

Unitronics supports a global network of distributors and sales representatives, as well as a U.S. subsidiary.

For more information regarding Unitronics products, contact your distributor, Unitronics headquarters via email: export@unitronics.com, or visit the Unitronics website at <http://www.unitronics.com/>.

The information in this document reflects products at the date of printing. Unitronics reserves the right, subject to all applicable laws, at any time, at its sole discretion, and without notice, to discontinue or change the features, designs, materials and other specifications of its products, and to either permanently or temporarily withdraw any of the foregoing from the market. All information in this document is provided "as is" without warranty of any kind, either expressed or implied, including but not limited to any implied warranties of merchantability, fitness for a particular purpose, or non-infringement. Unitronics assumes no responsibility for errors or omissions in the information presented in this document. In no event shall Unitronics be liable for any special, incidental, indirect or consequential damages of any kind, or any damages whatsoever arising out of or in connection with the use or performance of this information.

The tradenames, trademarks, logos and service marks presented in this document, including their design, are the property of Unitronics (1989) (R'G) Ltd. or other third parties and you are not permitted to use them without the prior written consent of Unitronics or such third party as may own them.

DSP-EXP-PT4XX 12/06

² The maximum number of I/Os varies according to the types of I/O modules linked to the PLC.