

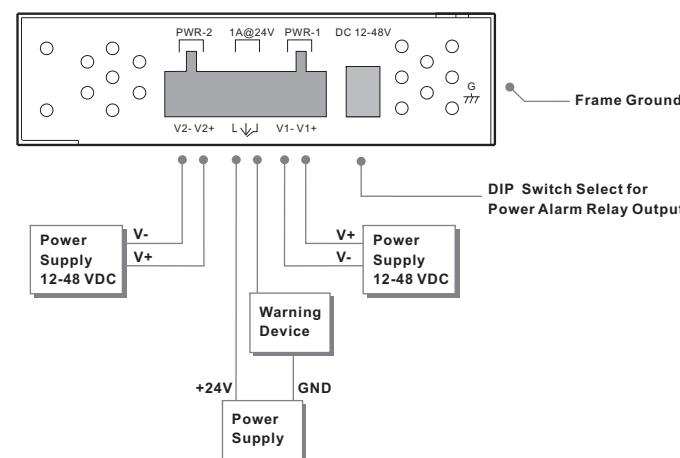
Introduction

IGS-1080A is slim type unmanaged gigabit Ethernet switch with 8 x 10/100/1000Base-T(X) ports. **IGS-1080A** supports redundant power input, rigid IP-30 housing, plus DIP switches for enabling or disabling relay output alarm. In addition, the wide operating temperature range from -40°C to 70°C can satisfy most of operating environment.

Features

- > Support auto-negotiation and auto-MDI/MDI-X
- > Supports Jumbo Frame up to 9K Bytes
- > Relay output to carry capacity of 1A at 24 VDC
- > Support store and forward transmission
- > Hardware DIP-switch to enable/disable power failure warning function
- > Support flow control
- > Rigid IP-30 housing design
- > DIN-Rail and wall mounting enabled

Power Connection Guide



● DIP Switch Function

DIP-1	DIP-2	Description
OFF	OFF	Power failure relay alarm disabled
ON	OFF	PWR-1 failure, relay alarm enabled
OFF	ON	PWR-2 failure, relay alarm enabled
ON	ON	PWR-1 or PWR-2 failure, relay alarm enabled

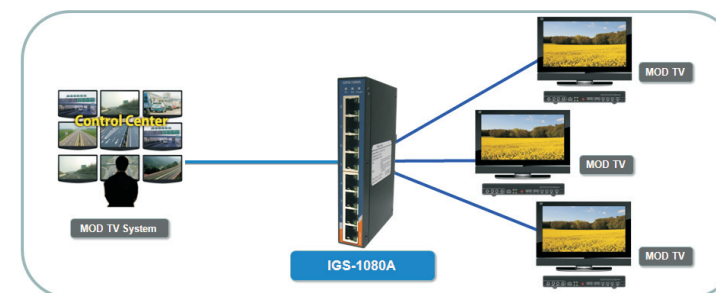
Specifications

ORing Switch Model	IGS-1080A
Physical Ports	
10/100/1000Base-T(X) Ports in RJ45 Auto MDI/MDIX	8
Technology	
Ethernet Standards	IEEE 802.3 for 10Base-T IEEE 802.3u for 100Base-TX IEEE 802.3ab for 1000Base-T IEEE 802.3x for Flow control
MAC Table	4096 MAC addresses
Processing	Store-and-Forward
LED Indicators	
Power indicator	Green: Power LED x2
Fault indicator	Amber: Indicate PWR1 or PWR2 failure
10/100/1000Base-T(X) RJ45 port indicator	Link/Act: Green for 1Gbps connection, Amber for 10/100Mbps connection. Amber for full duplex indicator
DIP-Switch	
DIP-Switch 1	Power-1 failed warning : (ON) enable, (OFF) disable
DIP-Switch 2	Power-2 failed warning : (ON) enable, (OFF) disable
Fault Contact	
Relay	Relay output to carry capacity of 1A at 24 VDC
Power	
Redundant Input power	Dual DC inputs 12-48 VDC on 6-pin terminal block
Power consumption(Typ.)	5.5 Watts
Overload current protection	Present
Reverse polarity protection	Present
Physical Characteristic	
Enclosure	IP-30
Dimension (W x D x H)	26.1(W)x94.9(D)x144.3(H) mm (1.03x3.74x5.68inch.)
Weight (g)	390 g
Environmental	
Storage Temperature	-40 to 85°C (-40 to 185°F)
Operating Temperature	-40 to 70°C (-40 to 158°F)
Operating Humidity	5% to 95% Non-condensing
Regulatory Approvals	
EMI	FCC Part 15, CISPR (EN55022) class A
EMS	EN61000-4-2 (ESD), EN61000-4-3 (RS), EN61000-4-4 (EFT), EN61000-4-5 (Surge), EN61000-4-6 (CS), EN61000-4-8, EN61000-4-11
Shock	IEC60068-2-27
Free Fall	IEC60068-2-32
Vibration	IEC60068-2-6
Safety	EN60950-1
Warranty	5 years

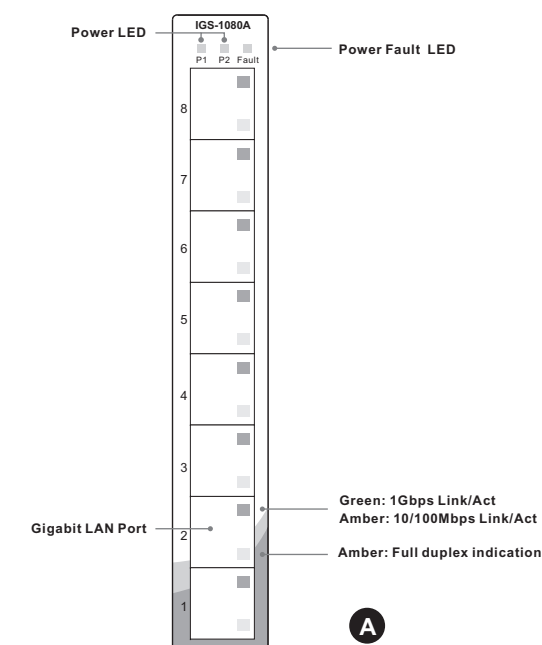
Practical Operation

IGS-1080A can be used in connecting several Ethernet devices like Ethernet I/O, IP-Camera or other Ethernet switches. In addition, there are two different power inputs at terminal block to avoid interruption caused by power down. When the primary DC power input fails, the backup power input will take over immediately to guarantee a non-stop operation.

● Connections of Ethernet devices

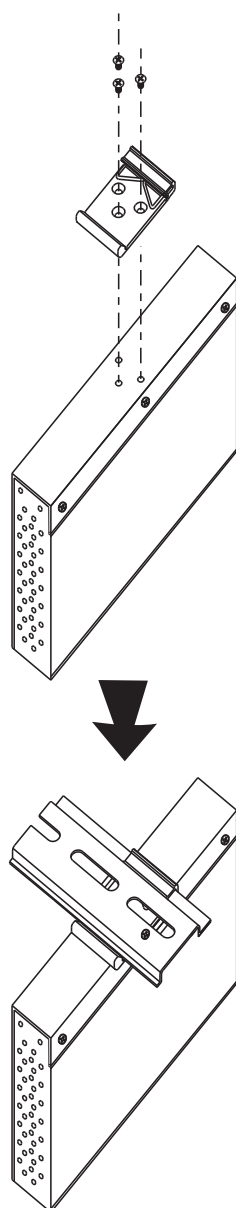


Practical Operation

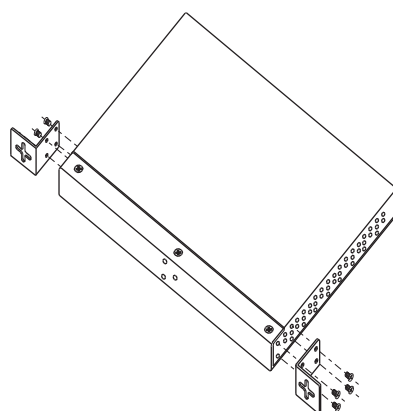


Installation

DIN-Rail Install Step

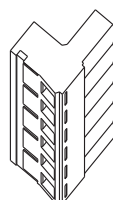


Wall-mounted Install Step



Accessory

① 6-Pin Terminal block



② Dust Cover (RJ-45)



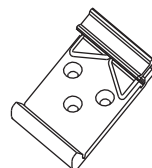
③ Round Screw (M3 X3)



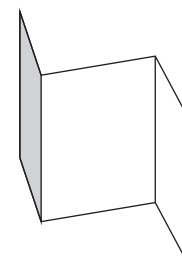
④ Wall-mounted kit (for Slim Type)



⑤ 25mm DIN-Rail kit



⑥ QIG



Packing list

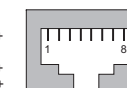
Model name	Front Panel:	Model Description	Accessory
IGS-1080A	A	Industrial 8-port slim type unmanaged Gigabit Ethernet switch with 8x10/100/1000Base-T(X)	⊙X1, ⊙X8, ⊙X8, ⊙X2, ⊙X1, ⊙X1

Communication Connections

1000Base-T Ethernet Connection

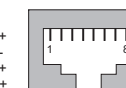
RJ45 (8-pin, MDI) Port Pinouts

Pin	MDI
1	BI_DA+
2	BI_DA-
3	BI_DB+
4	BI_DC+
5	BI_DC-
6	BI_DB-
7	BI_DD+
8	BI_DD-



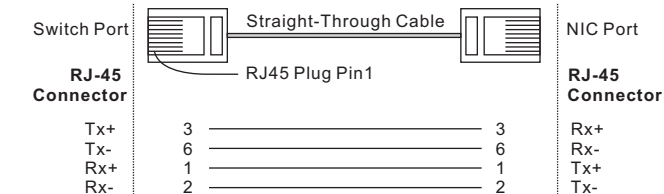
RJ45 (8-pin, MDI-X) Port Pinouts

Pin	MDI-X
1	BI_DB+
2	BI_DB-
3	BI_DA+
4	BI_DD+
5	BI_DD-
6	BI_DA-
7	BI_DC+
8	BI_DC-

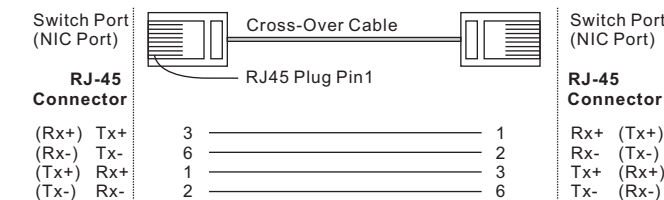


10/100Base-T(X) Ethernet Connection

RJ45 (8-pin) to RJ45 (8-Pin) Straight-Through Cable Wiring



RJ45 (8-pin) to RJ45 (8-Pin) Cross-Over Cable Wiring



Copyright© 2011 ORing
All rights reserved.



ORing Industrial Networking Corp.
TEL: +886-2-2218-1066 Website: www.oring-networking.com
FAX: +886-2-2218-1014 E-mail: support@oring-networking.com