

Quick Installation Guide

MS655202X

Industrial Unmanaged Gigabit Switch

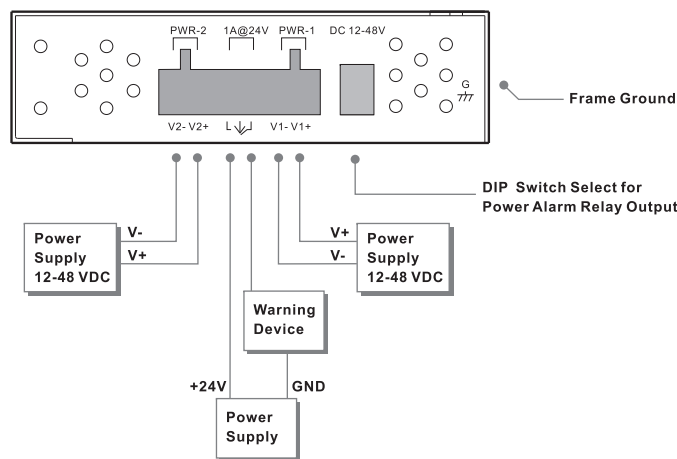
Introduction

MS655202X is an unmanaged Ethernet switch, with 4x10/100/1000Base-T(X) ports and 2x100/1000Base-X SFP ports. The optical network speed of the SFP port can be set by changing the settings of the DIP-Switch below. The wide operating temperature range from -40°C to 70°C can satisfy most operating environments. Therefore, the switch is one of the most reliable choices for Ethernet applications.

Features

- > 4x10/100/1000Base-T(X) ports
- > SFP port support 100Base-FX and 1000Base-X dual speed
- > Support auto-negotiation and auto-MDI/MDI-X
- > Support store and forward transmission
- > Support flow control
- > Rigid IP-30 housing design
- > DIN-Rail and wall mounting enabled

Power Connection Guide



DIP Switch Function

DIP-1	DIP-2	Description
OFF	OFF	Power failure relay alarm disabled
ON	OFF	PWR-1 failure, relay alarm enabled
OFF	ON	PWR-2 failure, relay alarm enabled
ON	ON	PWR-1 or PWR-2 failure, relay alarm enabled

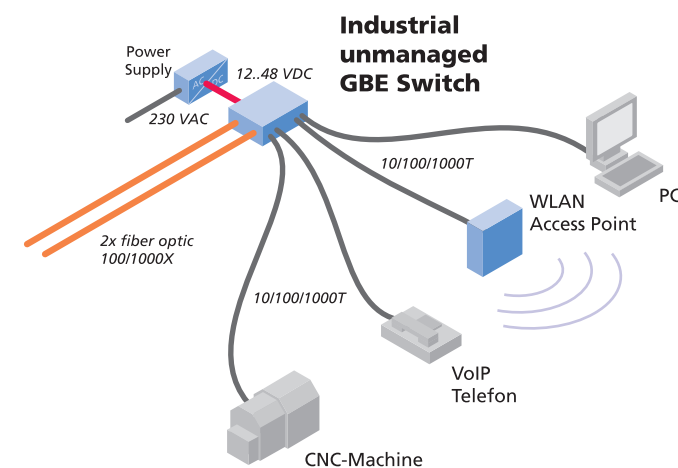
Specifications

MICROSENS Switch Model	MS655202X
Physical Ports	
10/100/1000Base-T(X) Port in RJ-45 Auto MDI/MDIX	4
100/1000Base-X SFP port	2
Technology	
Ethernet Standards	IEEE 802.3 for 10Base-T IEEE 802.3u for 100Base-TX and 100Base-FX IEEE 802.3ab for 1000Base-T IEEE 802.3z for 1000Base-X IEEE 802.3x for Flow control
MAC Table	1K MAC addresses
Processing	Store-and-Forward
LED Indicators	
Power indicator	Green: Power LED x2
Fault indicator	Amber: Indicate PWR1 or PWR2 failure
10/100/1000Base-T(X) RJ-45 port indicator	Green for port Link/Act. Amber for 100Mbps indicator
100/1000Base-X SFP port indicator	Green for port Link/Act.
SFP Speed DIP-Switch	
DIP-Switch 1/2 (port 6/5)	DIP-Switch (ON) : SFP speed setting to 100Mbps DIP-Switch (OFF) : SFP speed setting to 1000Mbps
Relay Output DIP-Switch	
DIP-Switch 1	Power-1 failed warning : (ON) enable, (OFF) disable
DIP-Switch 2	Power-2 failed warning : (ON) enable, (OFF) disable
Fault Contact	
Relay	Relay output to carry capacity of 1A at 24 VDC
Power	
Redundant Input power	Dual DC inputs 12-48VDC on 6-pin terminal block
Power consumption(Typ.)	6.4W
Overload current protection	Present
Reverse polarity protection	Present
Physical Characteristic	
Enclosure	IP-30
Dimension (W x D x H)	26.1 (W) x 94.9 (D) x 144.3 (H) mm (1.03 x 3.74 x 5.68 inches)
Weight (g)	410 g
Environmental	
Storage Temperature	-40 to 85°C (-40 to 185°F)
Operating Temperature	-40 to 70°C (-40 to 158°F)
Operating Humidity	5% to 95% Non-condensing
Regulatory Approvals	
EMI	CISPR (EN55022) class A
EMS	EN61000-4-2 (ESD), EN61000-4-3 (RS), EN61000-4-4 (EFT), EN61000-4-5 (Surge), EN61000-4-6 (CS), EN61000-4-8, EN61000-4-11
Shock	IEC60068-2-27
Free Fall	IEC60068-2-32
Vibration	IEC60068-2-6
Safety	EN60950-1
Warranty	3 years

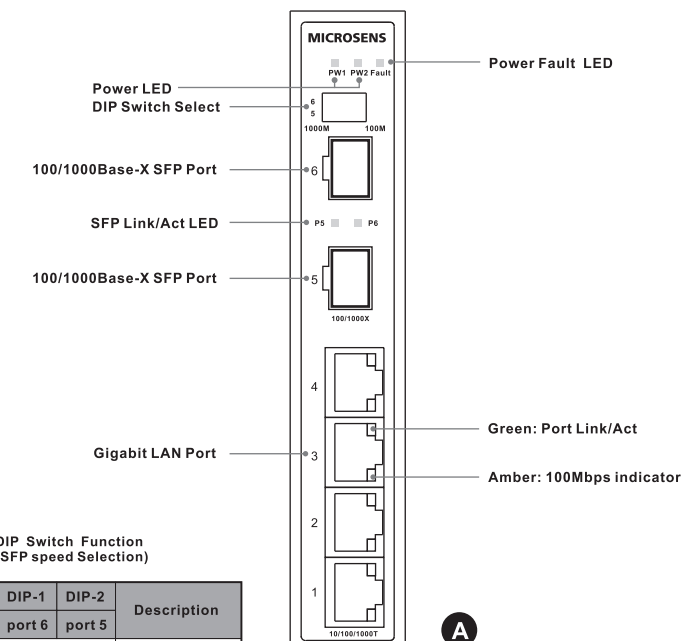
Practical Operation

MS655202X can be used in connecting several Ethernet devices like IP-Camera or other Ethernet devices. In addition, there are two different power inputs at terminal block to avoid interruption caused by power down. When the primary DC power input fails, the backup power input will take over immediately to guarantee a non-stop operation.

Connections of Ethernet devices



Front Panel

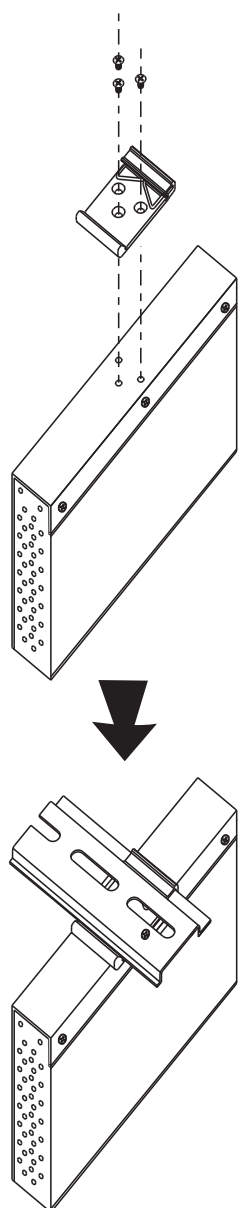


DIP Switch Function (SFP speed Selection)

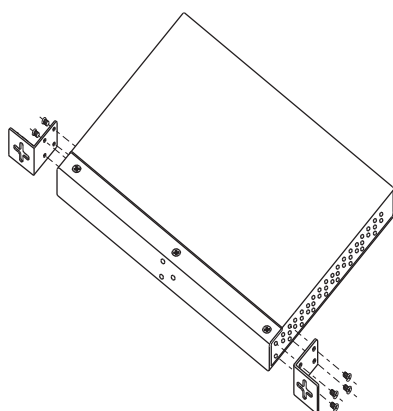
DIP-1 port 6	DIP-2 port 5	Description
OFF	OFF	1000Mbps
ON	ON	100Mbps

Installation

DIN-Rail Install Step



Wall-mounted Install Step



Accessory

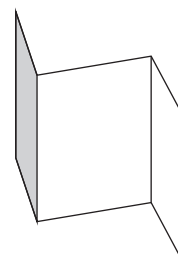
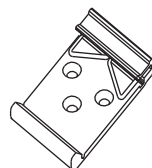
- ① 6-Pin Terminal block
- ② Dust Cover (RJ-45)
- ③ Dust Cover (SFP)



- ④ Round Screw (M3 X3)
- ⑤ Wall-mounted kit (for Slim Type)



- ⑥ 25mm DIN-Rail kit
- ⑦ QIG



Packing list

Model name	Front Panel	Model Description	Accessory
MS655202X	A	Industrial 6-port slim type unmanaged Gigabit Ethernet switch with 4x10/100/1000Base-T(X) and 2x100/1000Base-X, SFP socket	① X 1, ② X 4, ③ X 2, ④ X 8, ⑤ X 2, ⑥ X 1, ⑦ X 1

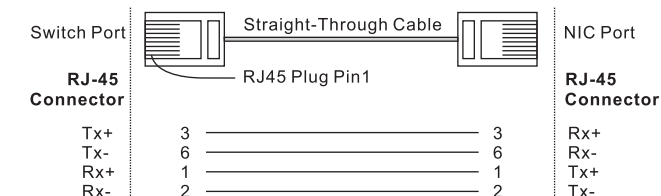
Communication Connections

1000Base-T Ethernet Connection

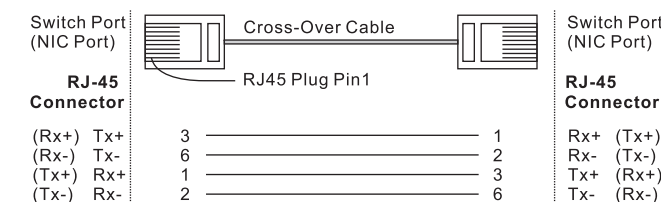
RJ45 (8-pin, MDI) Port Pinouts			RJ45 (8-pin, MDI-X) Port Pinouts		
Pin	MDI		Pin	MDI-X	
1	BI_DA+		1	BI_DB+	
2	BI_DA-		2	BI_DB-	
3	BI_DB+		3	BI_DA+	
4	BI_DC+		4	BI_DD+	
5	BI_DC-		5	BI_DD-	
6	BI_DB-		6	BI_DA-	
7	BI_DD+		7	BI_DC+	
8	BI_DD-		8	BI_DC-	

10/100Base-T(X) Ethernet Connection

RJ45 (8-pin) to RJ45 (8-Pin) Straight-Through Cable Wiring



RJ45 (8-pin) to RJ45 (8-Pin) Cross-Over Cable Wiring



1000Base-X SFP Port Connection

