

## I-7563

USB to Isolated RS-485 Active Star Wiring Converter

## I-7563U *NEW*

USB to Isolated RS-485 Active Star Wiring Converter  
(Windows 8 / 8.1)



### Features ▶▶▶

- Fully Compliant with the USB 1.1/2.0/3.0
- RS-485 Active Star Wiring Applications
- 3000 V<sub>DC</sub> Isolation Protection on the RS-485 side
- Transmission speed up to 921.6 kbps (For I-7563U)
- No External Power Supply required
- Automatic RS-485 Direction Control
- ESD Protection for the RS-485 Data Line
- Operating Temperatures, -25 °C ~ +75 °C
- DIN-Rail Mounting

### Introduction

The I-7563/I-7563U is a cost-effective module for transferring serial data via USB. It allows you to connect your serial devices to systems that use a USB interface. Connecting the I-7563/I-7563U to a PC, you get one COM port on system. The I-7563/I-7563U contains "Self-Tuner", this chip auto-tunes the Baud Rate and data format to the RS-485 network. The I-7563/I-7563U module derives its power from the USB port and doesn't need any power adapter.

Do you have any RS-485 wiring problems I-7563/I-7563U is a USB to 1-channel RS-485 converter with a 3-way RS-485 Hub. Each channel contains its own RS-485 driver IC, so it can support star-shaped wiring.

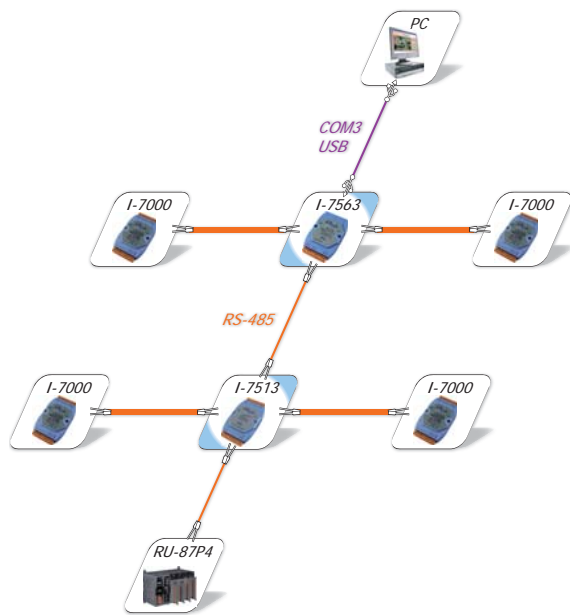
### Software

I-7563 Driver	Windows 98/ME/2000/XP/Vista (32/64-bit)/7 (32/64-bit)/Linux
I-7563U Driver	Windows 98/ME/2000/XP/Vista (32/64-bit)/7 (32/64-bit)/8 (32/64-bit)/8.1 (32/64-bit)/Linux

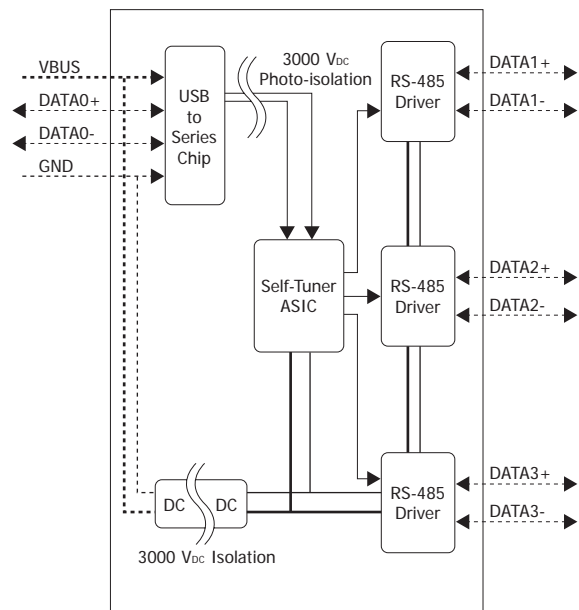
### System Specifications

Models	I-7563	I-7563U
<b>Interface</b>		
USB	Fully Compliant with the USB 1.1/2.0/3.0	
RS-485	3 Channels: For active star wiring applications	
	Data1+, Data1-	
	Data2+, Data2-	
	Data3+, Data3-	
RS-485 Transmission Distance	Max. 1,200 m at 9.6 kbps; Max. 400 m at 115.2 kbps (Belden 9841 2P twisted-pair cable, if different cables are used, the transmission distance may change)	
Self-Tuner Asic Inside for RS-485	Yes	
Speed	300 ~ 115200 bps	300 ~ 921.6 kbps
Connector	RS-485	Removable 10-Pin Terminal Block
	USB	Type B
Cable Included	CA-USB18 (1.8 m Cable) x 1	
<b>LED Indicators</b>		
Power	Yes	
<b>Power</b>		
Input Voltage Range	+5 V <sub>DC</sub> from USB	
Power Consumption	0.5 W	
<b>Mechanical</b>		
Casing	Plastic	
Flammability	Fire-Retardant Materials (UL94-V0 Level)	
Dimensions (W x H x D)	72 mm x 115 mm x 35 mm	
Installation	DIN-Rail Mounting	
<b>Environment</b>		
Operating Temperature	-25 °C ~ +75 °C	
Storage Temperature	-30 °C ~ +75 °C	
Humidity	10 ~ 90% RH, non-condensing	

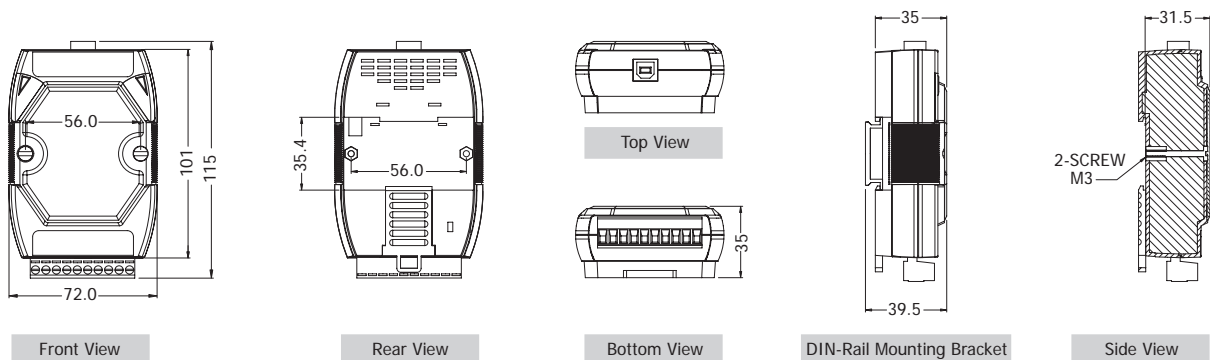
## Applications



## Internal I/O Structure



## Dimensions (Unit: mm)



## Pin Assignments



Terminal No.	Pin Assignment
RS-485	01 DATA3-
	02 DATA3+
	03 --
RS-485	04 DATA2-
	05 DATA2+
	06 --
RS-485	07 --
	08 --
	09 DATA1-
10 DATA1+	

## Ordering Information

I-7563 CR	USB to Isolated RS-485 Active Star Wiring Converter (RoHS)	<b>Art. No. 113902</b>
I-7563-G CR	USB to Isolated RS-485 Active Star Wiring Converter (Gray Cover) (RoHS)	<b>Auf Anfrage</b>
I-7563U-G CR	USB to Isolated RS-485 Active Star Wiring Converter (Gray Cover) (RoHS)	<b>Art. No. 131712</b>
Include Cable	CA-USB18 (1.8 m Cable) x 1	

## Accessories

USB-2560 CR	Industrial 4-port USB 2.0 Hub
CA-USB18	USB Type A to Type B Cable