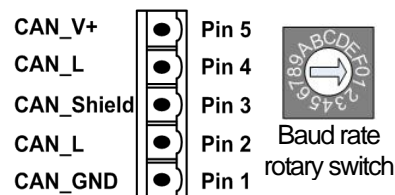
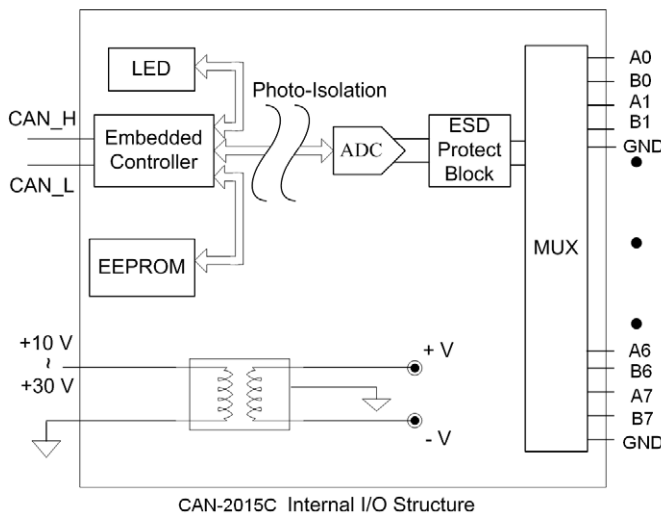
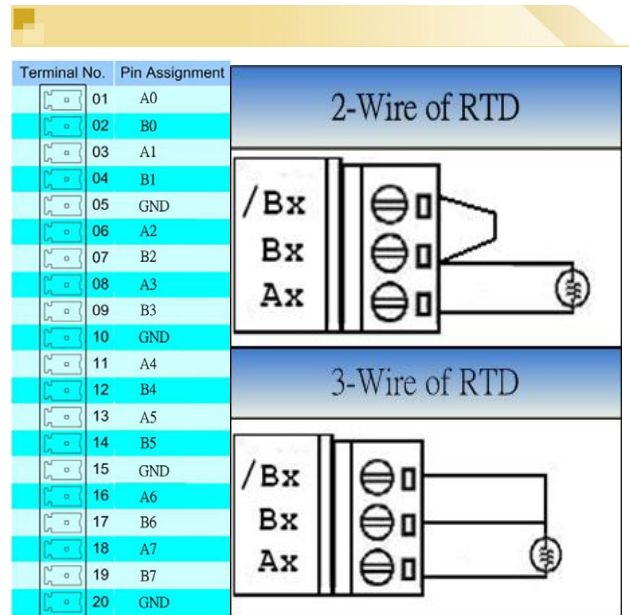


CAN-2015C

CAN-2015C module follows the CiA-301 version 4.02 and CiA-401 version 2.1. You can access the RTD input and set the configuration by using standard CANopen protocol. CAN-2015C has passed the validation of the CiA CANopen Conformance Test tool. Therefore, you can use it with standard CANopen master easily by applying the EDS file. CAN-2015C has 8 RTD input channels. By the CANopen masters of ICP DAS, you can quickly build a CANopen network to approach your requirement.

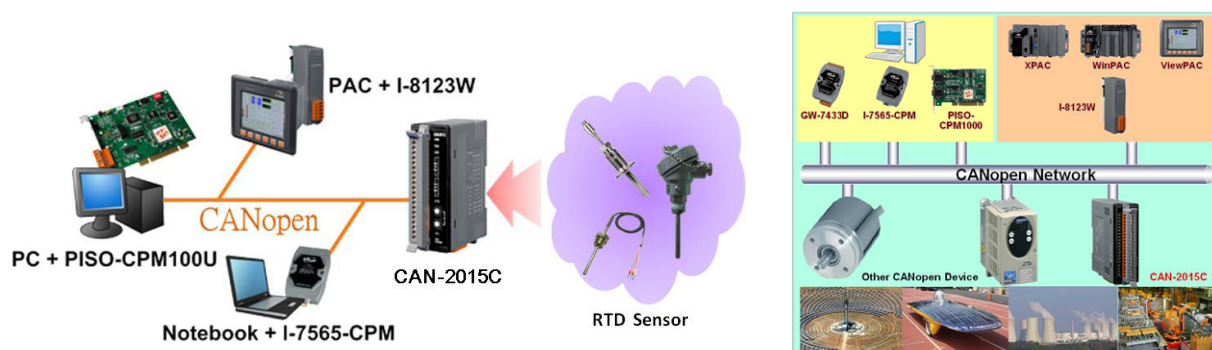
- Provide default EDS file
- Passed the validation of CiA CANopen Conformance Test tool
- ESD Protection 4 KV Contact for each channel
- Support Power Supply +10 ~ +30 VDC
- Support CiA-301 v4.02, CiA-401 v2.1
- Support Dynamic PDO



Switch Value	Baud Rate
0	10 kbps
1	20 kbps
2	50 kbps
3	125 kbps
4	250 kbps
5	500 kbps
6	800 kbps
7	1000 kbps

CAN Interface	
Connector	5-pin screwed terminal block (CAN_GND, CAN_L, CAN_SHLD, CAN_H, CAN_V+)
Baud Rate (bps)	10 k, 20 k, 50 k, 125 k, 250 k, 500 k, 800 k, 1M
Terminator Resistor	Switch for 120 Ω terminator resistor
Node ID	1~99 selected by rotary switch
Protocol	CANopen CiA-301 ver4.02, CiA-401 ver2.1
PDO Mode	Event Triggered, Remotely requested, Cyclic and acyclic SYNC
Error Control	Node Guarding protocol and Heartbeat Producer protocol
Analog Input	
Channels	8 RTD Input (2/3-wire)
Input Type	Pt100, Pt1000, Ni120, Cu100, Cu1000
Resolution	16 Bits
ESD Protection	4 kV Contact for each channel
Sampling Rate	10 Samples/Sec. (Total)
Accuracy	+/-0.05% FSR
Over Voltage	120 V _{DC} / 110 V _{AC}
Input Impedance	20mΩ
LED	
Round LED	PWR LED, RUN LED, ERR LED
Alarm LED	8 LEDs as over Upper Limit Indicators, and 8 LEDs as below the Lower Limit Indicators
Power	
Input range	Unregulated +10 ~ +30 V _{DC}
Power Consumption	2.0 W
Mechanism	
Installation	DIN-Rail
Dimensions	33 mm x 99 mm x 78 mm (W x L x H)
Environment	
Operating Temp.	-25 ~ 75 °C
Storage Temp.	-30 ~ 80 °C
Humidity	10 ~ 90% RH, non-condensing

Applications



Ordering Information

Art. No. 129185 CAN-2015C

CANopen module of 8- channel RTD Input